



CD Multi-Source Receiver

MODEL **CD1000**

English

INSTALLATION MANUAL

Be sure to read this installation manual thoroughly prior to installation and making connections. If installation methods or non-standard parts not specified in this installation manual are used, accidents or injury may result.

Professional installation is recommended, contact the place of purchase to schedule an appointment. After reading the owner's manual and the installation manual thoroughly, keep them in a safe place for later reference.

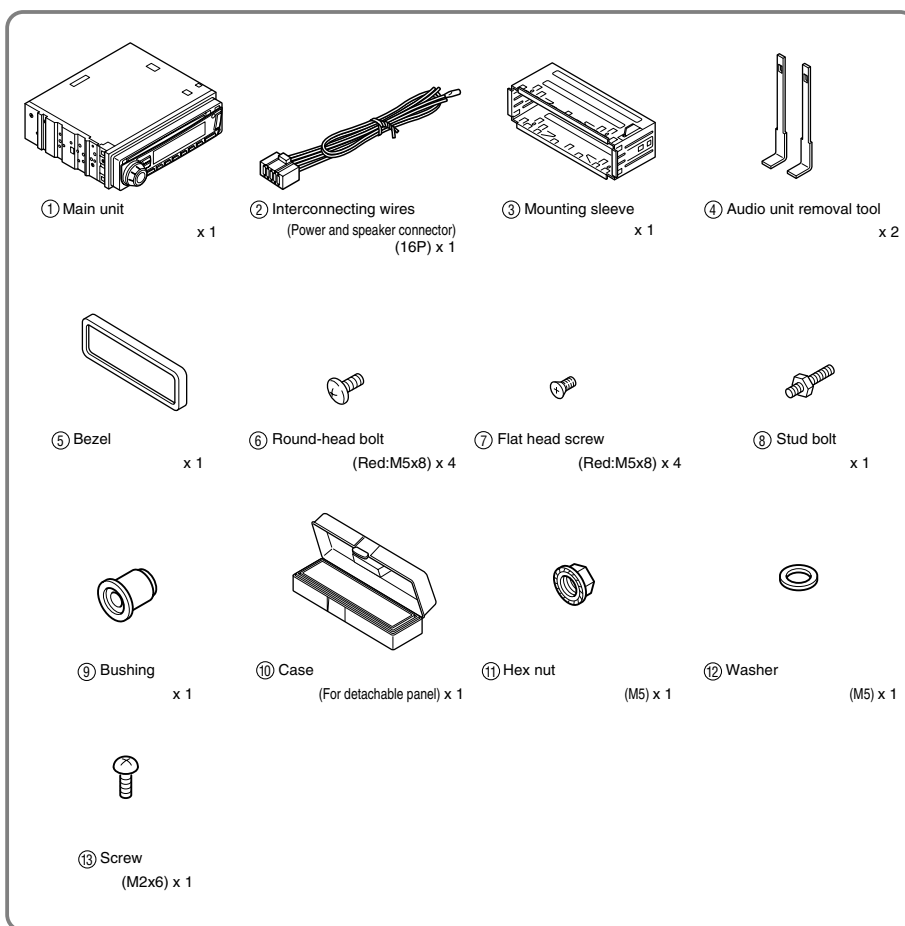
To dealers:

Give this installation manual to the customer after installation and all connections have been completed.

Contents

Before installation	Components	2
	For your safety in using the CD1000	3
Connections	Names and functions of terminals	5
	System connection example	7
Installation	Installing the main unit	9

Components *Check that all of the following components are present*





Tip


When installing the main unit, some vehicle models may require the use of items that need to be obtained separately such as a power supply adaptor wire, radio antenna adaptor wire or mounting bracket.

For your safety in using the CD1000

Warnings and caution signs, illustrated below, are posted throughout this manual as well as on the CD1000. They show safe and correct ways to handle the main unit to prevent personal injury to you and others and avoid damage to property.

Before reading through the manual, take time to read through and learn the important information listed in this section.

	Warning	This "Warning" sign indicates a situation in which incorrect handling may result in death or serious personal injury.
	Caution	This "Caution" sign indicates a situation in which incorrect handling may result in personal injury or may result solely in damage to property.

	Tip	This section contains information that can help to prevent problems and damage to the main unit, and also contain other useful information.
---	------------	---

Warning

- Do not install this main unit in locations where it may obstruct the driver's view, or where it may endanger passengers in the vehicle. Otherwise, an accident or injury may result.
- Do not install this main unit in locations where it may interfere with the operation of the steering wheel, shift lever, brake pedal, etc. Otherwise, an accident or injury may result.
- To prevent damage to the vehicle, confirm the locations of hoses, electrical wiring, and the fuel tank prior to drilling holes to install this main unit. Also, take precautions so that the main unit does not interfere, nor come in contact with them. Otherwise, a fire may result.
- When installing this main unit, never use the existing nuts or bolts that secure parts of the fuel tank, or the steering, or braking systems. Otherwise, improper steering, or braking or a fire may result.
- To prevent a short circuit from occurring, disconnect the battery's negative terminal before installing this main unit. Otherwise, an electric shock or injury may result.
- When using an existing nut and/or bolt from the vehicle to ground this main unit, do not use any that secure parts of the steering or braking systems. Otherwise, an accident may result.
- Bundle wires and harnesses with electrical tape or wire ties to prevent them from interfering with moving parts. If they should entangle with the steering wheel, shift lever, or brake pedal, an accident may result.
- Never supply power to another electrical appliance by splicing or tapping into this main unit's power wire. Otherwise, the current capacity of the wire will be exceeded, resulting in a fire or electric shock.
- Never attempt to disassemble or modify the main unit. Otherwise, an accident, fire, or electric shock may result.
- When installing the main unit into a vehicle with a passenger side air bag, do not secure it to the air bag's cover or in places where it may impede air bag deployment. Otherwise, proper air bag operation may not be ensured in the event of an accident, causing injury or death.
- When making holes (example: drilling) be sure to wear protective eyewear. Otherwise, an injury such as loss of eyesight may result.
- Exposed wires must be insulated with electrical tape. Otherwise, a short circuit, fire, or electric shock may result.
- Do not modify this system for use other than that specified herein. Also, do not deviate from the installation procedures described herein; Eclipse will not be held liable for damages including, but not limited to serious injury, death, or property damage resulting from installations that enable unintended operation.
- This main unit is intended for operation in DC 12volt, negative-grounded vehicles only. Never use it in 24-volt vehicles such as heavy trucks or diesel vehicle with cold-region specifications.

 **Warning**

- Do not place the vinyl storage bag over a person's head. It may cause a serious accident or death by suffocation.
- Do not disassemble or rebuild this main unit. Doing so may cause an accident, fire, or electrical shock.
- When it is necessary to replace the fuse, always use a fuse of the correct rating (number of amperes). Use of fuses with higher amperage ratings may cause a fire.
- Do not operate the main unit in a malfunctioning condition, for instance, when the audio does not play. Doing so may result in an accident, fire, or electrical shock.
- If an abnormal situation occurs, such as foreign matter entering or liquid splashing on the main unit, or smoke or a strange odor emitting from the main unit, shut off the main unit immediately and consult the dealer from whom you purchased it. Continued operation may cause an accident, fire, or electrical shock.

 **Caution**

- For best results, this main unit should be installed by a professional installer. Contact the dealer whom you purchased the main unit for an appointment.
- When installing this main unit, be sure to use the supplied mounting hardware. If parts other than those supplied are used, the main unit may be damaged internally, or may not be held in place securely and become dislodged.
- Avoid installing this main unit in places where it may get wet, such as near windows, or in places that are moist or dusty. Presence of liquid, moisture, or dust inside this main unit can cause short circuiting resulting in smoke or fire.
- If this main unit is not connected properly, a short circuit, fire, or accident may occur.
- When routing wires, use precautions to prevent contact of sharp metal parts such as brackets or screw tips. Otherwise, a short circuit, electric shock, fire, or accident may result.
- Play the audio at a moderate volume level that permits you to hear sounds from outside the vehicle. Driving without being able to hear outside sounds may result in an accident.
- This main unit must be operated only as on-board main unit, or it may cause electrical shock or injury.
- Do not play distorted sounds for long periods of time; the speakers may overheat and cause a fire.
- Use supplied wire harness with this main unit. Other manufacturers may use a similar wire harness connector but pin configurations are incorrect for use with Eclipse main units and can damage the main unit. Prior to powering up the main unit, please make sure the main unit is properly grounded with the vehicle chassis. If no ground is available to the chassis, add a ground strap from the main unit to the vehicle chassis to improve the ground.
- Do not use with speakers having 1 to 3 ohms impedance. This main unit is designed to be used with high-powered speakers rated above 50w with impedance rating between 4 and 8 ohms.

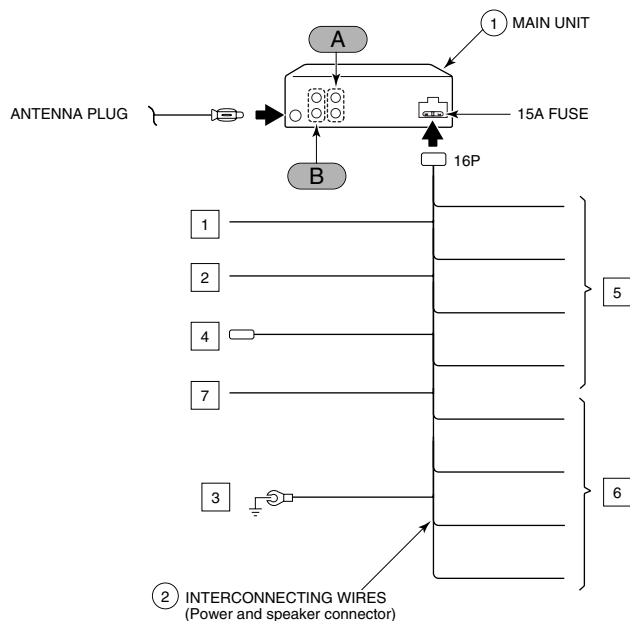
Name and functions of terminals

⚠ Warning

- Never cut the insulation on the power wire or use it to power any other equipment. If the rated current capacity of the power wire is exceeded, fire and electric shocks may result.
- The wires should be secured with tape or a similar securing method to prevent any obstructions while driving. If they get wound or entangled around components such as the steering wheel, shifting lever, or brake pedal, accidents may result.
- If removing the end of the wire to connect to another wire, be sure to wrap PVC tape or a similar wire insulating method around the connection to insulate it. If the connection is not insulated, fire or accidents may result.

⚠ Caution

- Use supplied wire harness with this main unit. Other manufacturers may use a similar wire harness connector but pin configurations are incorrect for use with Eclipse main units and can damage the main unit. Prior to powering up the main unit, please make sure the main unit is properly grounded with the vehicle chassis. If no ground is available to the chassis, add a ground strap from the main unit to the vehicle chassis to improve the ground.
- Do not use with speakers having 1 to 3 ohms impedance. This main unit is designed to be used with high-powered speakers rated above 50w with impedance rating between 4 and 8 ohms.



👉 Tip

- Refer to page 6 for details on the wire colors and connection points for interconnecting wires ②.
- Refer to page 6 for details on connection points **A** and **B** for the main unit wires and terminals.

◆Wire colors and connection points for connection wires ②



Caution

Never connect the power supply to the speaker wires (No.5 and No.6), otherwise it will cause damage to the main unit.

1 ACC (Red)

Connect where the power comes on when the ignition is in the ACC position.

2 B+ (Yellow)

Connect where power is constantly available, regardless of the ignition key's position.

3 Ground (Black)

Connect where good body grounding is available.

4 Control power supply or automatic antenna power supply connection terminal (blue/white)

Connect to the power supply terminal for the power amplifier or other equipment, or to the vehicle's automatic antenna control terminal. (200mA max.)

5 Front speaker output wires

Connect to the front speakers.

White: Left +
Gray: Right +

White/black: Left -
Gray/Black: Right -

6 Rear speaker output wires

Connect to the rear speakers.

Green: Left +
Purple: Right +

Green/black: Left -
Purple/Black: Right -

7 Cellular phone mute Wire (Pink)

Connect to the ground output terminal on a mobile phone.

◆Main unit connections

A

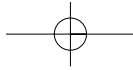
Front line-out terminals

Connect to the RCA connector of an external amplifier.

B

Rear line-out terminals

Connect to the RCA connector of an external amplifier.



– Vehicle connections –

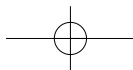
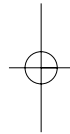
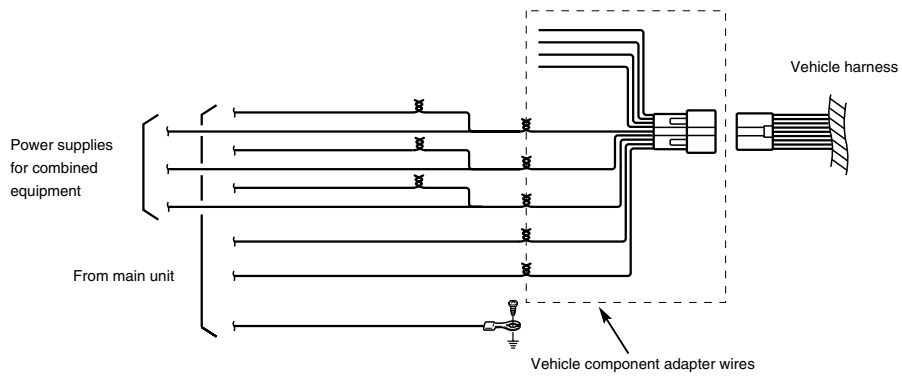


Tip

- You will need to purchase the necessary vehicle component adapter wire for the vehicle so that the power supplies can be utilized. (Contact the dealer for further details.)
- Be sure to wrap the connection wires with electrical tape or another insulation method to insulate them.

English

– Example of using vehicle adapter wires –



System connection example

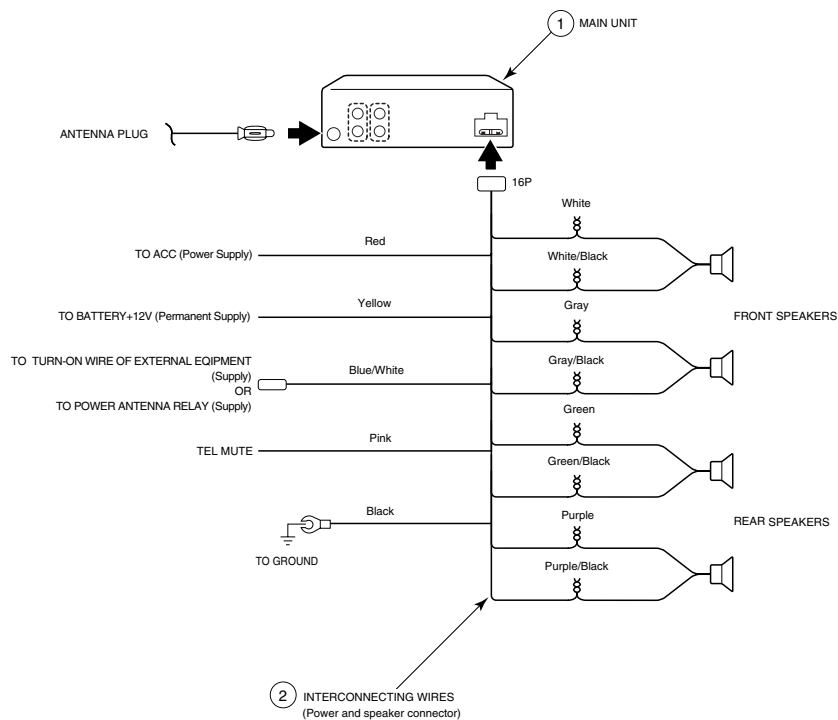
Warning

- Never cut the insulation on the power wire or use it to power any other equipment. If the rated current capacity of the power wire is exceeded, fire and electric shocks may result.
- The wires should be secured with tape or a similar securing method to prevent any obstructions while driving. If they get wound or entangled around components such as the steering wheel, shifting lever, or brake pedal, accidents may result.
- If removing the end of the wire to connect to another wire, be sure to wrap PVC tape or a similar wire insulating method around the connection to insulate it. If the connection is not insulated, fire or accidents may result.

Tip

- Install and connect all of the peripheral equipment before connecting them to the main unit.
- Do not remove any of the protective caps (RCA, etc.) unless in use.
- Be sure to wrap the connection wires with tape (PVC tape) to insulate them.
- Adjust the external amplifier's input level.

CD1000 Main unit, used alone



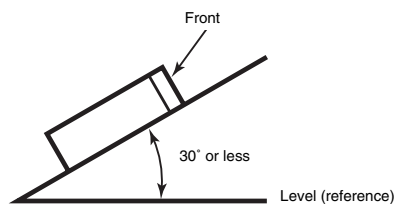
Installing the main unit

– Installation angle –



Tip

To maintain proper function, the main unit must be mounted less than 30 degrees. If the angle is in excess of 30 degrees, CD skipping and improper CD ejection may occur.

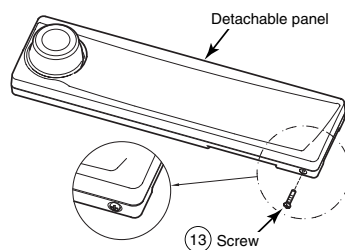


– Installation preparation –

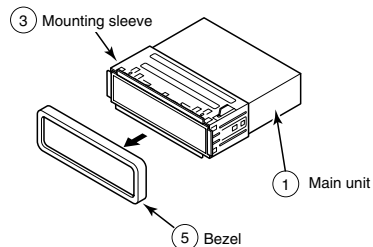


Tip

When it is not required to detach the front control panel from the main unit, use the provided screw to attach the control panel to the main unit.



- 1 Remove the bezel.

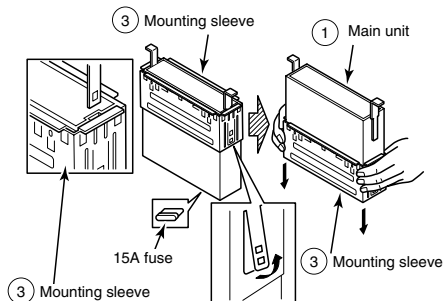


- 2 Insert the audio unit removal tool on the left and right side of the main unit, and disengage the lock of the mounting sleeve.
- 3 Remove the mounting sleeve from the main unit.



Tip

Be careful not to damage the fuse that is installed on the back side of the main unit when removing the mounting sleeve from the main unit.

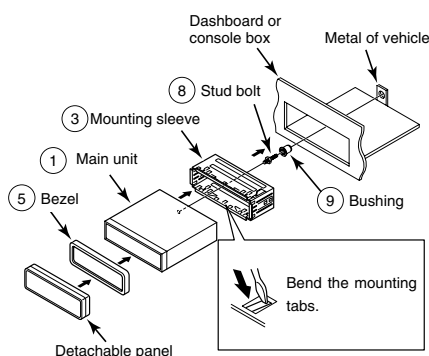


– Mounting the main unit (If installing the main unit using the mounting sleeve) –

Tip

- Carefully bind any excess length of wire that is connected to the main unit and secure it to an area of empty space in the vehicle so that it does not dislodge or interfere with the main unit or vehicle-side equipment. If the wires are not handled correctly, operating problems or short-circuits may occur, and this may result in the danger of fire or other accidents.
- Connect all wires before installing the main unit.

- 1 Insert the mounting sleeve into the opening in the vehicle dashboard or console box.
- 2 Use a screwdriver or a similar tool to bend the tabs in the mounting sleeve to secure the mounting sleeve.
- 3 Mount the stud bolt and bushing to the main unit.
- 4 Insert the main unit into the mounting sleeve until it locks in place.
- 5 Fasten the rear of the main unit.
- 6 Install the bezel on the main unit.

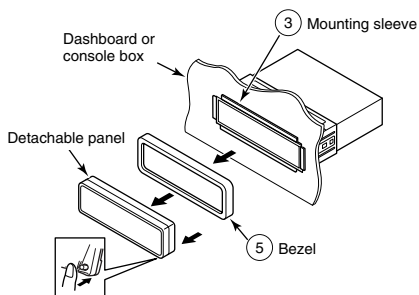


Tip

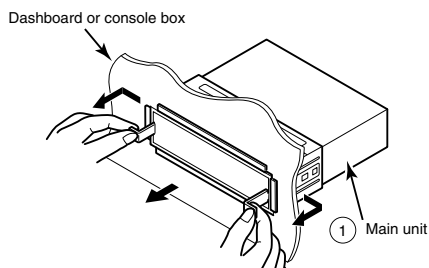
- Be careful not to forcefully push on the main unit's display or buttons during installation. This may result in damage to the main unit.
- This installation method is only one example. When installing the main unit to the vehicle, be sure to ask the place of purchase for information on the installation method used.

– Removing the main unit (If installing the main unit using the mounting sleeve) –

- 1 Remove the detachable panel.
- 2 Remove the bezel.



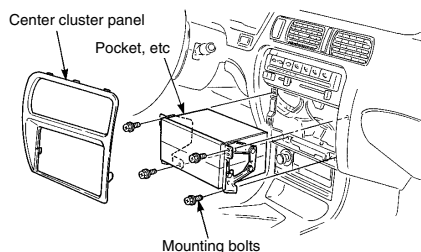
- 3 Insert the audio unit removal tool on the left and right side of main unit, and disengage the lock of the mounting sleeve.
- 4 Remove the main unit from the mounting sleeve.



–Mounting the main unit (If installing the main unit using the side brackets of the vehicle)–

Tip

- Carefully bind any excess length of wire that is connected to the main unit and secure it to an area of empty space in the vehicle so that it does not dislodge or interfere with the main unit or vehicle-side equipment. If the wires are not handled correctly, operating problems or short-circuits may occur, and this may result in the danger of fire or other accidents.
- Connect all wires before installing the main unit.



- 1 Remove the pocket and any other accessories from the center cluster to make room for the main unit.
- 2 Remove the mounting brackets for the pocket.

- 3 Attach the brackets to the main unit.

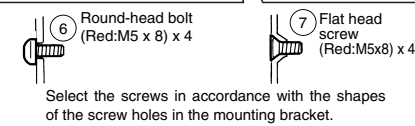
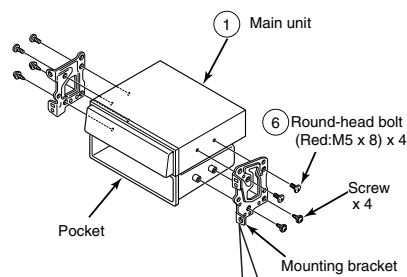
Tip

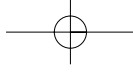
Be sure to use the supplied accessory mounting screws (Red:M5 x 8) as the mounting screws. If any other screws are used, they may damage the inside of the main unit.

- 4 Install the main unit in the vehicle.

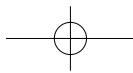
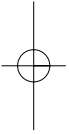
Tip

- Be careful not to forcefully push on the main unit's display or buttons during installation. This may result in damage to the main unit.
- This installation method is only one example. When installing the main unit to the vehicle, be sure to ask the place of purchase for information on the installation method used.





English





CD Multi-Source Receiver

MODELO **CD 1000**

Español

MANUAL DE INSTALACIÓN

Asegúrese de leer completamente este manual de instalación antes de llevar a cabo la instalación y realizar conexiones. Si se utilizan métodos de instalación o piezas no estándares que no se detallan en este manual podrían producirse accidentes o lesiones.

Se recomienda una instalación profesional, comuníquese con el lugar donde realizó la compra para programar una cita.

Después de leer completamente el manual del propietario y el manual de instalación, guárdelos en un lugar seguro para referencia futura.

Para los comerciantes:

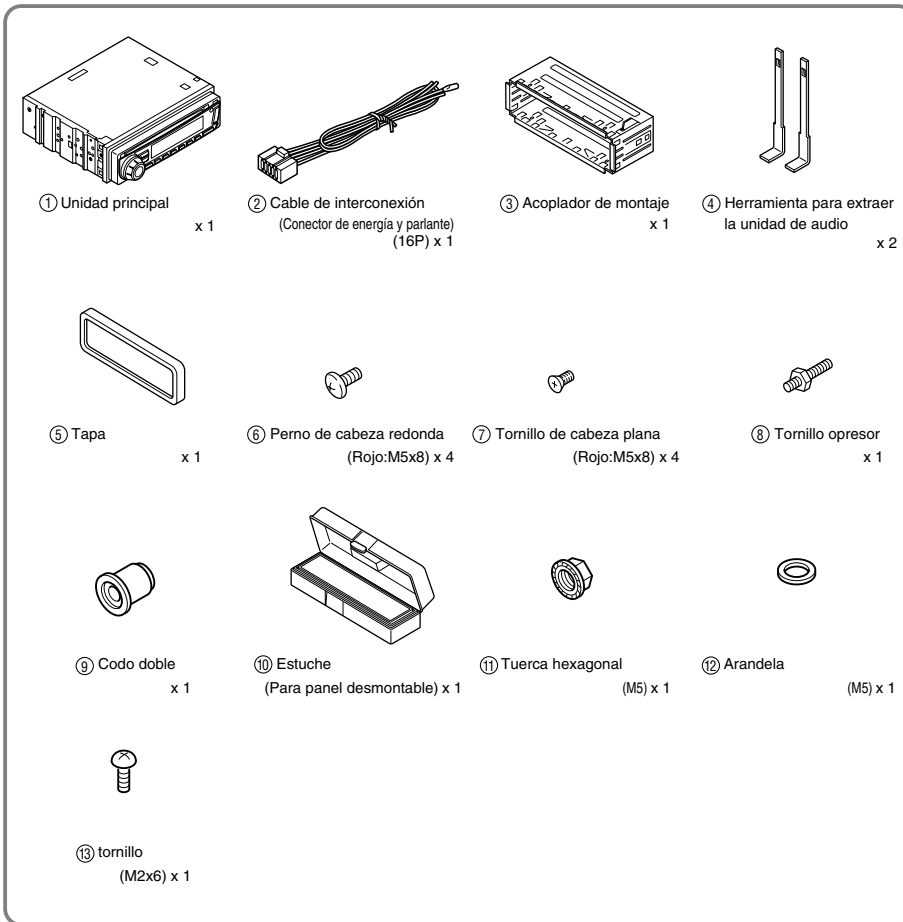
Entregue el manual de instalación al cliente después de terminar con la instalación y todas las conexiones.

Contenido

Antes de la instalación	Componentes	2
	Para su seguridad al utilizar el CD1000	3
Conexiones	Nombres y funciones de las terminales	5
	Ejemplo de conexión del sistema	7
Instalación	Cómo instalar la unidad principal	9

Componentes *Verifique que no falte ninguno de los siguientes componentes*

Español



Consejo

Al momento de instalar la unidad principal, algunos modelos de vehículos pueden requerir el uso de artículos que deben obtenerse por separado como por ejemplo un cable adaptador para la fuente de alimentación, cable adaptador de la antena de radio o soporte de montaje.

Para su seguridad al utilizar el CD1000

En todo el manual y en el CD1000 aparecen señales de advertencia y precaución como las que se ejemplifican a continuación. Éstas muestran las formas seguras y correctas de manejar el producto para prevenir que usted y otros sufran lesiones personales y evitar daños a la propiedad.

Antes de leer el manual, tómese el tiempo para leer y aprender la importante información enumerada en esta sección.



Advertencia

Esta señal de "Advertencia" indica una situación en la que el manejo incorrecto puede ocasionar la muerte o lesiones corporales serias.



Precaución

Esta señal de "Precaución" indica una situación en la que el manejo incorrecto puede ocasionar lesiones corporales o únicamente daños a la propiedad.



Consejo

Esta sección contiene información que puede ayudarlo a prevenir problemas y daños en la unidad y también contiene otra información útil.



Advertencia

- No instale este producto en lugares donde pueda obstruir la visión del conductor o donde pueda poner en peligro a los pasajeros del vehículo. De lo contrario, podría producirse un accidente o lesiones.
- No instale este producto en lugares donde pueda interferir con el funcionamiento del volante, la palanca de cambios, el pedal de freno, etc. De lo contrario, podría producirse un accidente o lesiones.
- Para prevenir daños en el vehículo, verifique la ubicación de las mangueras, el cableado eléctrico y el tanque de combustible antes de perforar agujeros para instalar este producto. Además, actúe con precaución para que el producto no interfiera ni esté en contacto con ellos. De lo contrario, se puede ocasionar un incendio.
- Cuando instale este producto, nunca utilice las tuercas ni los pernos que aseguran las partes del tanque de combustible o los sistemas de dirección o frenado. De lo contrario, podría producirse el funcionamiento incorrecto de la dirección o de los frenos, o un incendio.
- Para prevenir un corto circuito, desconecte la terminal negativa de la batería antes de instalar este producto. De lo contrario, podría producirse una descarga eléctrica o lesiones.
- Cuando utilice una tuerca y/o perno existente en el vehículo para conectar a tierra este producto, no utilice ninguno que asegure partes de los sistemas de dirección o frenado. De lo contrario, podría producirse un accidente.
- Ate los cables y arneses con cinta aislante o sujete cables para evitar que interfieran con partes en movimiento. Si se enredaran con el volante, la palanca de cambios o el pedal de frenos, podría producirse un accidente.
- Nunca suministre energía a otro dispositivo eléctrico uniéndolo o conectándolo a la línea de alimentación (cable) de este producto. De lo contrario, se excederá la capacidad actual del cable, lo que ocasionará un incendio o descarga eléctrica.
- Nunca intente desarmar ni modificar el producto. De lo contrario, podría producirse un accidente, incendio o una descarga eléctrica.
- Cuando instale el producto en un vehículo con bolsa de aire en el asiento del pasajero, no lo asegure a la tapa de la bolsa de aire o en lugares donde pueda impedir el despliegue de la bolsa de aire. De lo contrario, no se podrá garantizar el correcto funcionamiento de la bolsa de aire en caso de un accidente, lo que causará lesiones o la muerte.
- Al hacer agujeros (por ejemplo: perforaciones) asegúrese de utilizar protectores de ojos. De lo contrario, podría producirse una lesión como la pérdida de la vista.
- Los cables expuestos deben aislarse con cinta aislante. De lo contrario, podría producirse un corto circuito, incendio o una descarga eléctrica.
- No modifique este sistema para otro uso distinto del que aquí se detalla. Tampoco se desvíe de los procedimientos de instalación aquí descritos. Eclipse no se hará responsable por daños, los que incluyen, pero no se limitan a, lesiones graves, muerte o daños a la propiedad debido a instalaciones que ocasionan un funcionamiento no intencionado.
- Esta unidad está pensada para funcionar sólo en vehículos con conexión a tierra negativa de CC de 12 voltios. Nunca la utilice en vehículos de 24 voltios como camiones de gran tonelaje o automóviles diesel con especificaciones para regiones frías.

Advertencia

- No coloque la bolsa de almacenamiento de vinilo sobre la cabeza de una persona. Podría producir un serio accidente o muerte por asfixia.
- No desarme ni reconstruya este producto. Hacer esto podría producir un accidente, incendio o descarga eléctrica.
- Cuando sea necesario reemplazar el fusible, siempre utilice un fusible con la clasificación correcta (número de amperes). El uso de fusibles con un amperaje mayor podría provocar un incendio.
- No haga funcionar el producto si está en malas condiciones, por ejemplo, cuando el audio no funciona.
Hacer esto podría producir un accidente, incendio o descarga eléctrica.
- Si se produjera una situación anormal, como el ingreso de un material extraño o salpicadura de líquido en el producto, o humo u olor que sale de la unidad, apague el producto inmediatamente y comuníquese con el comerciante al que se lo compró. Continuar con el funcionamiento podría producir un accidente, incendio o descarga eléctrica.

Precaución

- Para obtener mejores resultados, un instalador profesional debería instalar este producto. Comuníquese con el comerciante al que le compró el producto para programar una cita.
- Cuando instale este producto, asegúrese de utilizar el equipamiento de montaje incluido. Si se utilizan otras partes distintas de las incluidas, la unidad podría dañarse internamente o podría no quedar bien sujeta y desplazarse.
- Evite instalar este producto en lugares donde pueda mojarse, como cerca de ventanas o en lugares que están húmedos o llenos de polvo. La presencia de líquidos, humedad o polvo dentro de este producto puede producir un corto circuito que origine humo o incendio.
- Si no se conecta correctamente este producto, podría producirse un corto circuito, incendio o accidente.
- Cuando guíe los cables, actúe con precaución para evitar el contacto de partes filosas de metal como abrazaderas o puntas de tornillos. De lo contrario, podría producirse un corto circuito, descarga eléctrica, incendio o accidente.
- Reproduzca el audio en un nivel moderado de volumen que le permita escuchar los sonidos fuera del automóvil.
Conducir sin poder escuchar los sonidos exteriores puede causar un accidente.
- Se debe operar este producto sólo como un equipo a bordo o puede producir descargas eléctricas o lesiones.
- No reproduzca sonidos distorsionados por largos períodos; los parlantes podrían sobrecalentarse y causar un incendio.
- Utilice el arnés de cables suministrado con la unidad. Otros fabricantes pueden utilizar un conector del arnés de cables similar pero las configuraciones de las clavijas no son las correctas para utilizar con los productos Eclipse y puede dañar las unidades. Antes de encender la unidad, asegúrese de que esté conectada a tierra correctamente con el chasis del vehículo. Si no está disponible la conexión a tierra del chasis, agregue una correa de conexión a tierra desde la unidad al chasis del vehículo para mejorar la conexión a tierra.
- No la utilice con los parlantes que tienen una impedancia de 1 a 3 ohmios. Esta unidad está diseñada para utilizarse con parlantes de alta potencia superior a 50w, con una impedancia de entre 4 y 8 ohmios.

Nombres y funciones de las terminales

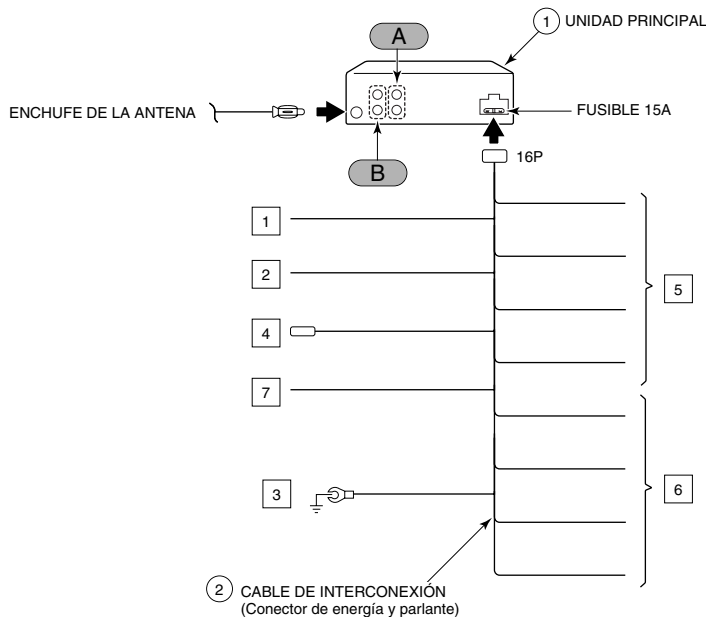
⚠ Advertencia

- Nunca corte el aislante en el cable de alimentación ni lo utilice para accionar otro equipo. Si se excede la capacidad nominal de corriente del cable de alimentación, podría producirse un incendio o descargas eléctricas.
- Se deben asegurar los cables con cinta o algún método de seguridad similar para evitar obstrucciones mientras maneja. Si se dañan o enredan cerca de componentes como el volante, palanca de cambios o pedal de freno, podrían producirse accidentes.
- Si quita el extremo del cable para conectar a otro cable, asegúrese de enrollar cinta de PVC o un método aislante de cables similar alrededor de la conexión para aislarla. Si no se aísla la conexión, se podría producir un incendio o accidentes.

⚠ Precaución

- Utilice el arnés de cables suministrado con la unidad. Otros fabricantes pueden utilizar un conector del arnés de cables similar pero las configuraciones de las clavijas no son las correctas para utilizar con los productos Eclipse y puede dañar las unidades. Antes de encender la unidad, asegúrese de que esté conectada a tierra correctamente con el chasis del vehículo. Si no está disponible la conexión a tierra del chasis, agregue una correa de conexión a tierra desde la unidad al chasis del vehículo para mejorar la conexión a tierra.
- No la utilice con los parlantes que tienen una impedancia de 1 a 3 ohmios. Esta unidad está diseñada para utilizarse con parlantes de alta potencia superior a 50w, con una impedancia de entre 4 y 8 ohmios.

Español



👉 Consejo

- Consulte la página 6 para detalles sobre los colores de los cables y los puntos de conexión para los cables de interconexión ②.
- Consulte la página 6 para detalles sobre los puntos de conexión A y B para los cables y terminales de la unidad principal.

◆ Colores de los cables y puntos de conexión para los cables de conexión ②



Nunca conecte la fuente de alimentación en las tomas de conexión del parlante (No. 5 y No. 6); de lo contrario dañará la unidad principal.

1 ACC (Rojo)

Conecte donde haya energía cuando la llave de encendido esté en la posición ACC.

2 B+ (Amarillo)

Conecte donde haya energía constantemente, sin importar la posición de la llave de encendido.

3 Conexión a tierra (Negro)

Conéctelo donde haya buena conexión a tierra con el chasis.

4 Terminal de conexión del suministro de energía de control o del suministro de energía automático de la antena (azul/blanco)

Conecte al terminal del suministro de energía para el amplificador de potencia u otra unidad, o al terminal de control automático de la antena del vehículo. (max. 200mA)

5 Conductor de salida del parlante delantero

Conéctelo a los parlantes delanteros.

Blanco: Izquierda +

Gris: Derecha +

Blanco/Negro: Izquierda -

Gris/Negro: Derecha -

6 Conductor de salida del parlante trasero

Conéctelo a los parlantes traseros.

Verde: Izquierda +

Púrpura: Derecha +

Verde/Negro: Izquierda -

Púrpura/Negro: Derecha -

7 Cable apagado para el teléfono celular (Rosado)

Conectar al terminal de salida con conexión a tierra en un teléfono celular.

◆ Conexiones de la unidad principal

A

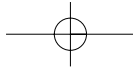
Terminal de salida de línea frontal

Conéctelo al conector RCA de un amplificador externo.

B

Terminal de salida de línea trasera

Conéctelo al conector RCA de un amplificador externo.



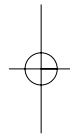
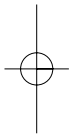
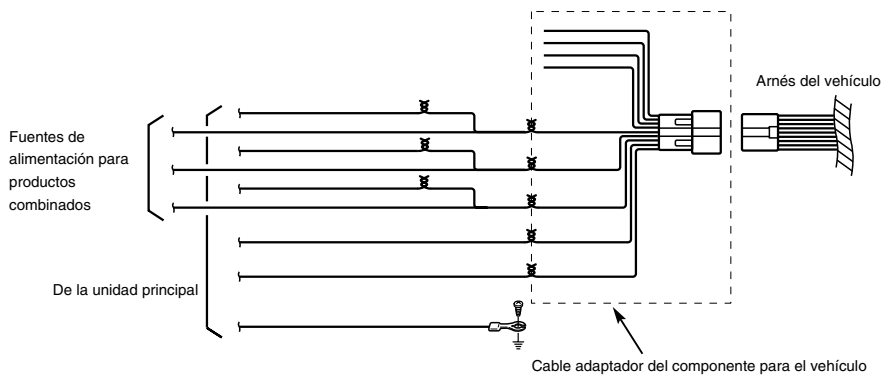
– Conexiones del vehículo –



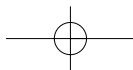
Consejo

- Deberá comprar el cable adaptador del componente necesario para el vehículo para poder utilizar las fuentes de alimentación. (Comuníquese con el comerciante para obtener más información.)
- Asegúrese de envolver los cables de conexión con cinta aislante o cualquier otro método aislante para aislarlos.

– Ejemplo de cómo utilizar los cables adaptadores para el vehículo –



Español



Ejemplo de conexión del sistema

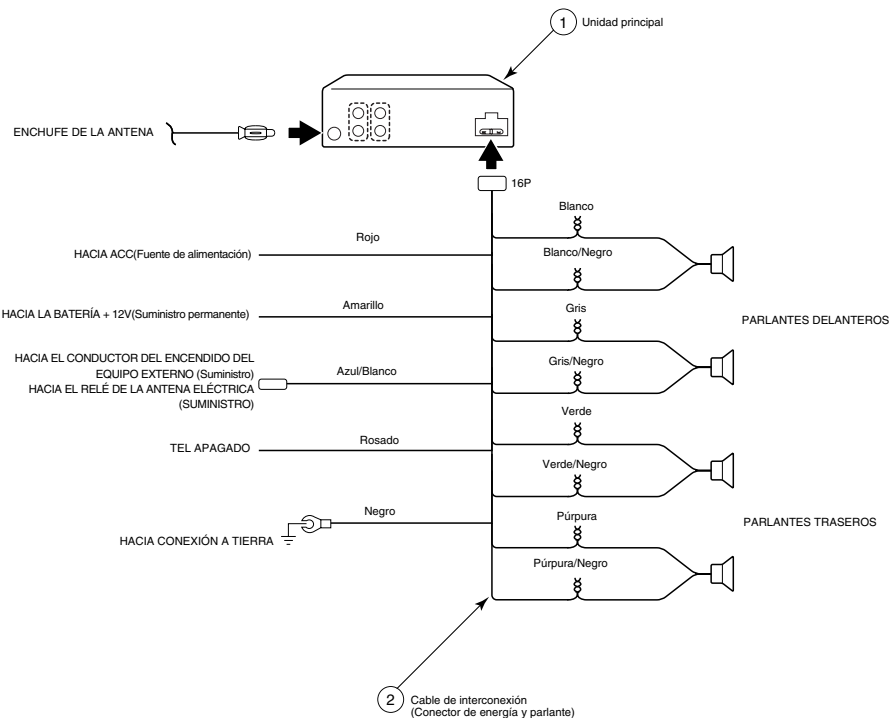
⚠ Warning

- Nunca corte el aislante en el cable de alimentación ni lo utilice para accionar otro equipo. Si se excede la capacidad nominal de corriente del cable de alimentación, podría producirse un incendio o descargas eléctricas.
- Se deben asegurar los cables con cinta o algún método de seguridad similar para evitar obstrucciones mientras maneja. Si se dañan o enredan cerca de componentes como el volante, palanca de cambios o pedal de freno, podrían producirse accidentes.
- Si quita el extremo del cable para conectar a otro cable, asegúrese de enrollar cinta de PVC o un método aislante de cables similar alrededor de la conexión para aislarla. Si no se aísla la conexión, se podría producir un incendio o accidentes.

👉 Consejo

- Instale y conecte todas las unidades periféricas antes de conectarlas a la unidad principal.
- No quite ninguno de los tapones protectores (RCA, etc.) a menos que estén en uso.
- Asegúrese de enrollar los cables de conexión con cinta (cinta de PVC) para aislarlos.
- Ajuste el nivel de entrada del amplificador externo.

CD1000 Unidad principal, se utiliza por separado

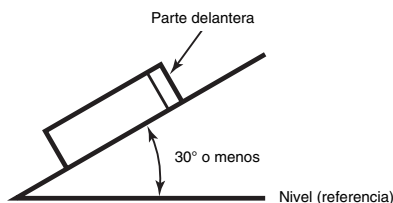


Cómo instalar la unidad principal

– Ángulo de instalación –

Consejo

Para mantener el funcionamiento correcto, la unidad principal debe estar instalada a menos de 30 grados. Si el ángulo es mayor a 30 grados, podría saltar el CD o podría producirse la eyección incorrecta del CD.

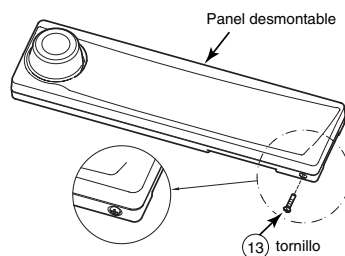


Español

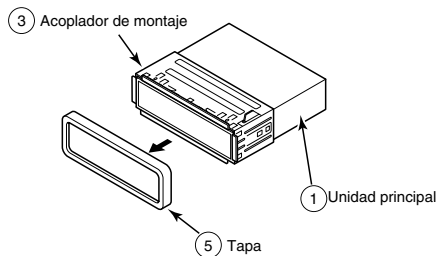
– Preparación para la instalación –

Consejo

Cuando no se necesita separar el panel de control delantero de la unidad principal, utilice el tornillo proporcionado para sujetar el panel de control a la unidad principal.



1 Quite la tapa.

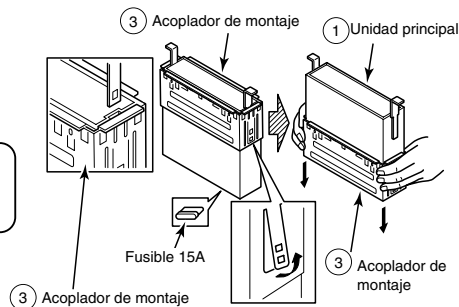


2 Inserte la herramienta para extraer la unidad de audio en los laterales derecho e izquierdo de la unidad principal y desconecte la cerradura del acoplador de montaje.

3 Quite el acoplador de montaje de la unidad principal.

Consejo

Tenga cuidado de no dañar el fusible instalado en la parte trasera de la unidad principal cuando quite el acoplador de montaje de la unidad principal.



– Cómo instalar la unidad principal (si se instala la unidad principal con el acoplador de montaje) –

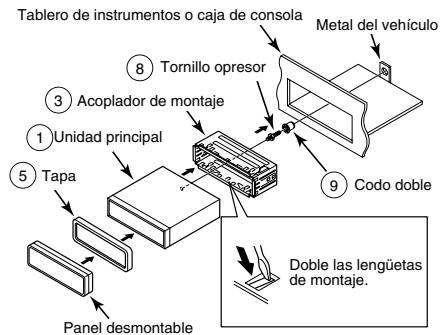
Consejo

- Ate cuidadosamente todo exceso de cable conectado a la unidad principal y asegúrelo a un área de espacio vacío en el vehículo para que no se desplace ni interfiera con la unidad principal ni con el equipo lateral del vehículo. Si no manipula correctamente los cables, pueden ocasionarse problemas operativos o cortocircuitos que podrían generar peligros de incendio u otros accidentes.
- Conecte todos los cables antes de instalar la unidad principal.

- 1 Introduzca el acoplador de montaje en la abertura del tablero de instrumentos o de la caja de consola del vehículo.
- 2 Utilice un destornillador o herramienta similar para doblar las lengüetas del acoplador de montaje para asegurarlo.
- 3 Coloque el tornillo opresor y el codo doble en la unidad principal.
- 4 Introduzca la unidad principal en el acoplador de montaje hasta que se traben en su lugar.
- 5 Ajuste la parte trasera de la unidad principal.
- 6 Instale la tapa en la unidad principal.

Consejo

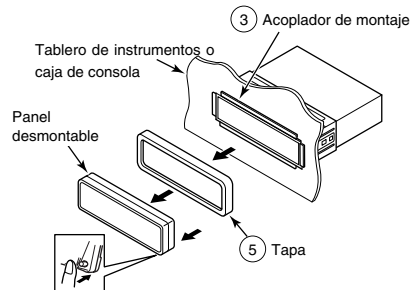
- Tenga cuidado de no empujar violentamente la pantalla de la unidad principal ni los botones durante la instalación. Esto puede dañar la unidad principal.
- Este método de instalación es sólo un ejemplo. Al momento de instalar la unidad principal en el vehículo, asegúrese de solicitar información en el lugar donde realizó la compra sobre el método de instalación utilizado.



– Cómo extraer la unidad principal (si se instala la unidad principal con el acoplador de montaje) –

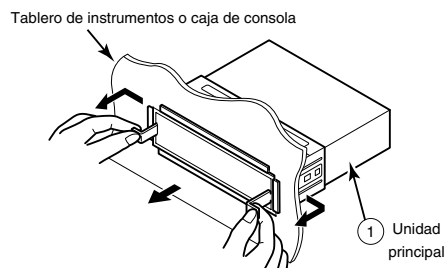
1 Quite el panel desmontable.

2 Quite la tapa.



3 Inserte la herramienta para extraer la unidad de audio en los laterales derecho e izquierdo de la unidad principal y desconecte la cerradura del acoplador de montaje.

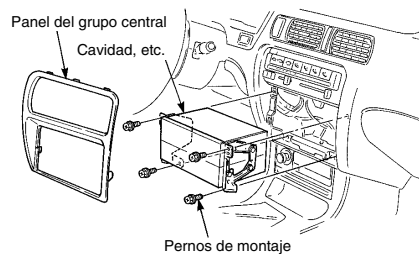
4 Quite la unidad principal del acoplador de montaje.



– Cómo instalar la unidad principal (si se instala la unidad principal con los soportes laterales del vehículo) –

Consejo

- Ate cuidadosamente todo exceso de cable conectado a la unidad principal y asegúrelo a un área de espacio vacío en el vehículo para que no se desplace ni interfiera con la unidad principal ni con el equipo lateral del vehículo. Si no manipula correctamente los cables, pueden ocasionarse problemas operativos o cortocircuitos que podrían generar peligros de incendio u otros accidentes.
- Conecte todos los cables antes de instalar la unidad principal.



1 Quite la cavidad y cualquier otro accesorio del grupo central para hacer lugar para la unidad principal.

2 Quite los soportes de montaje de la cavidad.

3 Fije los soportes a la unidad principal.



Consejo

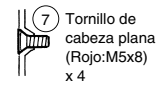
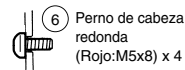
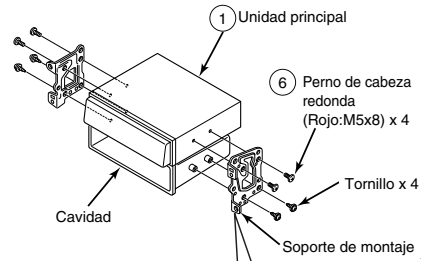
Asegúrese de utilizar los tornillos de montaje adicionales incluidos (Rojo: M5 x 8) como los tornillos de montaje. Si utiliza cualquier otro tornillo, podría dañar el interior de la unidad principal.

4 Instale la unidad principal en el vehículo.



Consejo

- Tenga cuidado de no empujar violentamente la pantalla de la unidad principal ni los botones durante la instalación. Esto puede dañar la unidad principal.
- Este método de instalación es sólo un ejemplo. Al momento de instalar la unidad principal en el vehículo, asegúrese de solicitar información en el lugar donde realizó la compra sobre el método de instalación utilizado.



Seleccione los tornillos de acuerdo con las formas de los agujeros para tornillos en el soporte de montaje.



CD Multi-Source Receiver

MODÈLE **CD 1000**

MANUEL D'INSTALLATION

Veillez à lire entièrement le présent manuel d'installation avant de réaliser l'installation et les connexions. Si vous utilisez des méthodes d'installation ou des composants non standard qui ne sont pas indiqués dans ce manuel, il y aura risque d'accidents ou de blessures.

L'installation de ce système exige un savoir-faire professionnel; veuillez donc prendre rendez-vous avec votre revendeur.

Après avoir lu entièrement le mode d'emploi et le manuel d'installation, rangez-les dans un endroit sûr pour pouvoir vous y reporter facilement en cas de besoin.

Pour les revendeurs:

Après avoir accompli tous les travaux d'installation et de connexion, veuillez remettre ce manuel d'installation au client.

Français

Sommaire

Avant l'installation

Composants	2
Consignes de sécurité pour l'utilisation du CD1000	3

Connexions

Noms et fonctions des bornes	5
Exemple de connexion du système	7

Installation

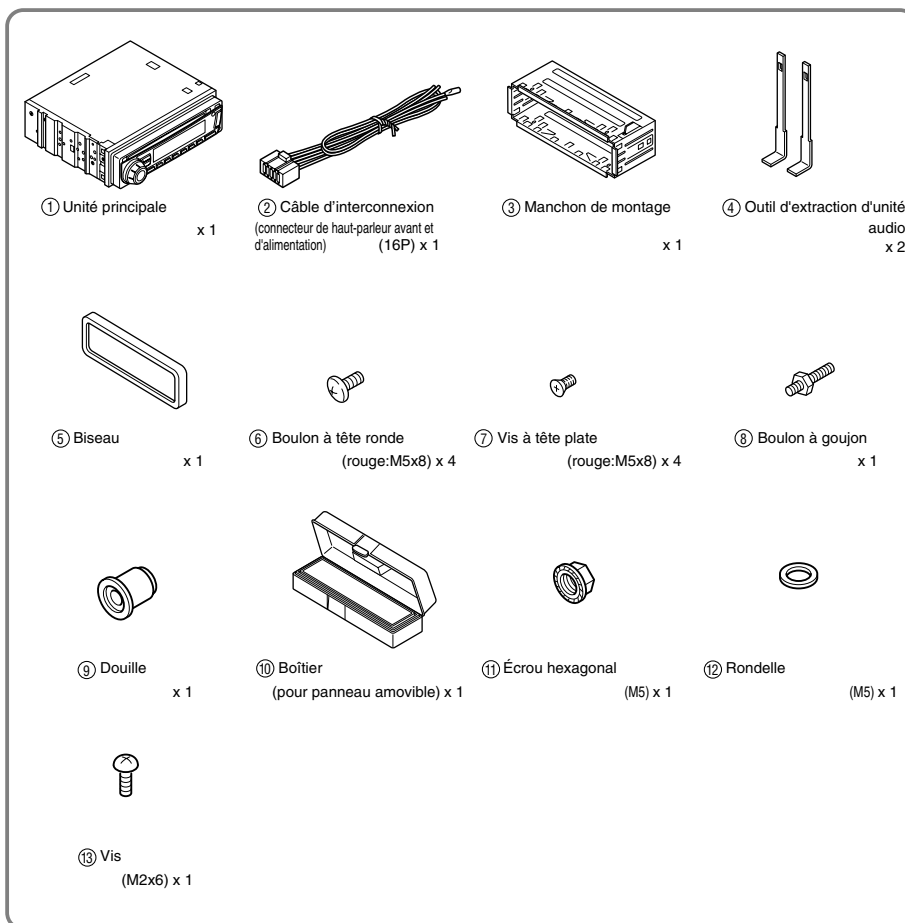
Installation de l'unité principale	9
------------------------------------	---

FUJITSU TEN

Composants

Assurez-vous que tous les composants suivants soient bien présents.

Français



Conseil

Pour l'installation de l'unité principale, il pourra être nécessaire, sur certains modèles de véhicules, d'utiliser des articles vendus séparément tels qu'un câble d'adaptateur d'alimentation électrique, un câble d'adaptateur d'antenne de radio ou un support de montage.

Consignes de sécurité pour l'utilisation du CD1000

Les symboles d'avertissement et de précaution représentés ci-dessous figurent dans ce manuel et sur le CD1000. Ils indiquent les méthodes sûres et correctes qu'il faut utiliser pour manipuler ce produit, afin d'éviter de causer des blessures corporelles ou des dommages matériels.

Avant de lire ce manuel, prenez le temps de lire et de bien comprendre les informations importantes figurant dans cette section.



Avertissement

Ce symbole d'"Avertissement" indique une situation dans laquelle des manipulations incorrectes risquent d'entraîner des blessures graves ou mortelles.



Précaution

Ce symbole de "Précaution" indique une situation dans laquelle des manipulations incorrectes risquent d'entraîner des blessures corporelles, ou seulement des dommages matériels.



Conseil

Cette section contient des informations qui peuvent contribuer à éviter des pannes ou des dommages à l'unité, ainsi que d'autres informations.



Avertissement

- N'installez pas ce produit à des endroits où il risque d'obstruer le champ de vision du conducteur, ou présenter un danger pour les passagers du véhicule. Sinon, un accident ou des blessures risqueraient de s'ensuivre.
- N'installez pas ce produit à des endroits où il risque de gêner l'actionnement du volant de direction, du levier de vitesses, de la pédale de frein, etc. Sinon, un accident ou des blessures risqueraient de s'ensuivre.
- Pour éviter d'endommager le véhicule, vérifiez l'emplacement des tuyaux, des fils électriques et du réservoir de carburant avant de percer les orifices pour l'installation de ce produit. Prenez aussi les précautions nécessaires pour que le produit n'entre pas en contact avec ces composants. Sinon, un incendie risquerait de s'ensuivre.
- Lorsque vous installez ce produit, n'utilisez jamais les boulons ou les écrous existants qui fixent les pièces du réservoir d'essence, du système de direction ou de freinage. Sinon, des anomalies de la direction ou du freinage ou un incendie risqueraient de s'ensuivre.
- Pour éviter de causer un court-circuit, débranchez la borne négative de la batterie avant d'installer ce produit. Sinon, une électrocution ou des blessures risqueraient de s'ensuivre.
- Lorsque vous utilisez un écrou et/ou un boulon existant du véhicule pour mettre ce produit à la masse, veillez à ne pas utiliser d'écrou ou de boulon qui fixe des composants des systèmes de direction ou de freinage. Sinon, un accident risquerait de s'ensuivre.
- Regroupez les câbles et les faisceaux de fils à l'aide de ruban isolant ou de serre-fils afin d'éviter qu'ils gênent les pièces mobiles. S'ils sont pris dans le volant, le levier de vitesses ou la pédale de frein, un accident risquera de s'ensuivre.
- N'établissez pas l'alimentation électrique à un autre appareil électrique en raccordant ou en captant le courant du conducteur (fil) d'alimentation du produit. Sinon, la capacité électrique du fil sera dépassée, ce qui risquerait de causer un incendie ou une électrocution.
- Ne tentez jamais de démonter ou de modifier le produit. Sinon, un accident, un incendie ou une électrocution risquerait de s'ensuivre.
- Lorsque vous installez le produit dans un véhicule équipé d'un sac gonflable latéral du passager, ne le fixez pas sur le couvercle du sac gonflable ou à des endroits où il risquerait de gêner le déploiement du sac gonflable. Sinon, le sac gonflable risquerait de mal fonctionner en cas d'accident, ce qui pourrait causer des blessures ou un décès.
- Lorsque vous percez des trous (exemple: perçage), veillez à mettre des lunettes de protection. Sinon, vous risqueriez de vous blesser et de perdre la vue.
- Les fils dénudés doivent être isolés avec du ruban isolant. Sinon, un court-circuit, un incendie ou une électrocution risquerait de s'ensuivre.
- Ne modifiez pas ce système pour l'utiliser d'une façon autre que celle indiquée dans ce manuel. N'utilisez pas non plus de procédures d'installation autres que celles indiquées dans ce manuel. Eclipse décline toute responsabilité en cas de dommages tels que, mais non limités à, des blessures graves, des décès ou des dommages matériels résultant d'installations incorrectes.
- Cette unité a été conçue pour fonctionner dans des véhicules sous 12 volts CC avec mise à la masse négative. Ne l'utilisez jamais dans des véhicules sous 24 volts tels que des camions lourds ou des véhicules diesel à spécifications pour pays froids.

Avertissement

- Ne placez pas le sac de rangement en vinyle sur la tête d'une personne. Ceci risquerait de causer un accident grave ou un décès par suffocation.
- Ne démontez pas ou ne reconstruisez pas ce produit. Sinon, un accident, un incendie ou une électrocution risquerait de s'ensuivre.
- S'il est nécessaire de remplacer le fusible, utilisez toujours un fusible de capacité nominale correcte (nombre d'ampères). Si vous utilisez des fusibles à capacité d'ampérage plus grande, un incendie risquera de s'ensuivre.
- N'utilisez pas le produit s'il fonctionne anormalement, par exemple s'il n'émet aucun son. Sinon, un accident, un incendie ou une électrocution risquerait de s'ensuivre.
- Si une anomalie se produit, par exemple si des corps étrangers pénètrent dans le produit ou que du liquide se répand sur celui-ci, ou si l'unité émet de la fumée ou des odeurs suspectes, éteignez le produit immédiatement et consultez votre revendeur. Si vous continuez à utiliser le produit dans cet état, un accident, un incendie ou une électrocution risquera de s'ensuivre.

Précaution

- Pour obtenir les meilleurs résultats, ce produit doit être installé par un installateur professionnel. Prenez rendez-vous avec votre revendeur.
- Lorsque vous installez ce produit, veillez à utiliser l'équipement de montage fourni. Si vous utilisez des pièces autres que les pièces fournies, l'unité risquera des subir des dommages internes ou d'être mal fixée et de tomber.
- Évitez d'installer ce produit à des endroits où il pourrait être mouillé, tels qu'à proximité des fenêtres, ou à des endroits humides ou poussiéreux. Si des liquides, de l'humidité ou de la poussière pénètrent dans le produit, ceci pourrait causer un court-circuit résultant en l'émission de fumée ou de flammes.
- Si ce produit n'est pas connecté correctement, un court-circuit, un incendie ou un accident risquera de s'ensuivre.
- Lorsque vous acheminez les câbles, prenez soin d'éviter tout contact entre les pièces métalliques coupantes telles que les supports ou les pointes de vis. Sinon, un court-circuit, une électrocution, un incendie ou un accident risquerait de s'ensuivre.
- Effectuez la lecture audio à niveau de volume modéré qui vous permette d'entendre les sons provenant de l'extérieur du véhicule. Si vous conduisez sans pouvoir entendre les sons provenant de l'extérieur du véhicule, un accident risquera de s'ensuivre.
- Ce produit ne doit être utilisé que comme équipement de bord, sinon une électrocution ou des blessures risqueraient de s'ensuivre.
- N'effectuez pas la lecture de sons déformés pendant de longues périodes; les haut-parleurs risqueraient de surchauffer et de causer un incendie.
- Utilisez le faisceau de fils fourni avec l'appareil. Les autres fabricants peuvent utiliser un connecteur de faisceaux de fils similaire, mais les configurations des broches ne conviendront pas à l'utilisation avec les produits Eclipse et risqueront d'endommager les unités. Avant d'allumer l'unité, veillez à ce que l'unité soit correctement mise à la masse avec le châssis du véhicule. Si aucune masse n'est disponible sur le châssis, ajoutez une bride de masse de l'unité sur le châssis du véhicule pour améliorer la masse.
- N'utilisez pas de haut-parleurs possédant une impédance de 1 à 3 ohms. Cet appareil doit être utilisé avec des haut-parleurs d'une puissance nominale supérieure à 50 W et une impédance comprise entre 4 et 8 ohms.

Noms et fonctions des bornes

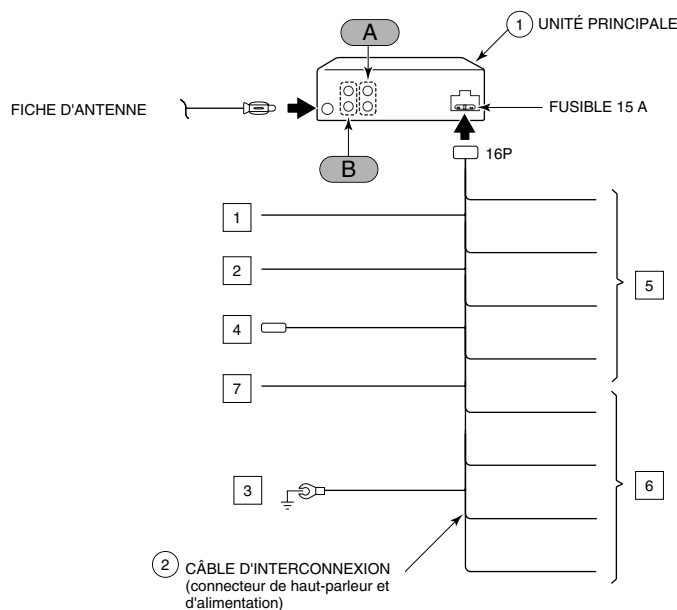
⚠ Avertissement

- Ne coupez jamais l'isolant du câble d'alimentation, ou n'utilisez pas celui-ci pour l'alimentation d'un autre équipement. Si la capacité électrique nominale du câble d'alimentation est dépassée, un incendie ou une électrocution risquera de s'ensuivre.
- Les câbles doivent être fixés avec du ruban ou une méthode de fixation similaire pour éviter toute gêne pendant la conduite. S'ils s'enroulent ou s'emmêlent autour de composants tels que le volant, le levier de vitesses ou la pédale de frein, un accident risquera de s'ensuivre.
- Si vous dénudez l'extrémité du cordon pour le connecter à un autre cordon, veillez à enrober la connexion de ruban PVC ou à utiliser une méthode d'isolation des fils similaire pour l'isoler. Si la connexion n'est pas isolée, un incendie ou un accident risquera de s'ensuivre.

⚠ Précaution

- Utilisez le faisceau de fils fourni avec l'appareil.
Les autres fabricants peuvent utiliser un connecteur de faisceaux de fils similaire, mais les configurations des broches ne conviendront pas à l'utilisation avec les produits Eclipse et risqueront d'endommager les unités. Avant d'allumer l'unité, veillez à ce que l'unité soit correctement mise à la masse avec le châssis du véhicule. Si aucune masse n'est disponible sur le châssis, ajoutez une bride de masse de l'unité sur le châssis du véhicule pour améliorer la masse.
- N'utilisez pas de haut-parleurs possédant une impédance de 1 à 3 ohms. Cet appareil doit être utilisé avec des haut-parleurs d'une puissance nominale supérieure à 50 W et une impédance comprise entre 4 et 8 ohms.

Français



👉 Conseil

- Pour plus de détails concernant les couleurs de fils et les points de connexion des câbles d'interconnexion ②, reportez-vous à la page 6.
- Pour plus de détails concernant les points de connexion A et B des bornes et des câbles de l'unité principale, reportez-vous à la page 6.

◆Couleurs de fils et points de connexion des câbles de connexion ②



Précaution

Ne connectez jamais l'alimentation électrique aux fils de haut-parleurs (No.5 et No.6), sinon l'unité principale sera endommagée.

1 ACC (Rouge)

Effectuez la connexion à un emplacement où l'alimentation électrique est établie lorsque la clé de contact est sur la position ACC.

2 B+ (Jaune)

Effectuez la connexion à un emplacement où le courant est toujours disponible, quelque soit la position de la clé de contact.

3 Masse (Noir)

Effectuez la connexion à un emplacement où une bonne masse de carrosserie est disponible.

4 Borne de connexion de l'alimentation électrique de commande ou de l'alimentation électrique de l'antenne automatique (bleu/blanc)

Effectuez la connexion à la borne d'alimentation électrique de l'amplificateur de puissance ou d'un autre appareil, ou à la borne de commande de l'antenne automatique du véhicule. (200mA max.)

5 Fils de sortie des haut-parleurs avant

Effectuez la connexion aux haut-parleurs avant.

Blanc:	Gauche +	Blanc/Noir:	Gauche -
Gris:	Droit +	Gris/Noir:	Droit -

6 Fils de sortie des haut-parleurs arrière

Effectuez la connexion aux haut-parleurs arrière.

Vert:	Gauche +	Vert/Noir:	Gauche -
Violet:	Droit +	Violet/Noir:	Droit -

7 Fil de sourdine de téléphone cellulaire (Rose)

Effectuez la connexion à la borne de sortie de masse d'un téléphone portable.

◆Connexions de l'unité principale

A

Borne de sortie de ligne avant

Effectuez la connexion au connecteur RCA d'un amplificateur extérieur.

B

Borne de sortie de ligne arrière

Effectuez la connexion au connecteur RCA d'un amplificateur extérieur.

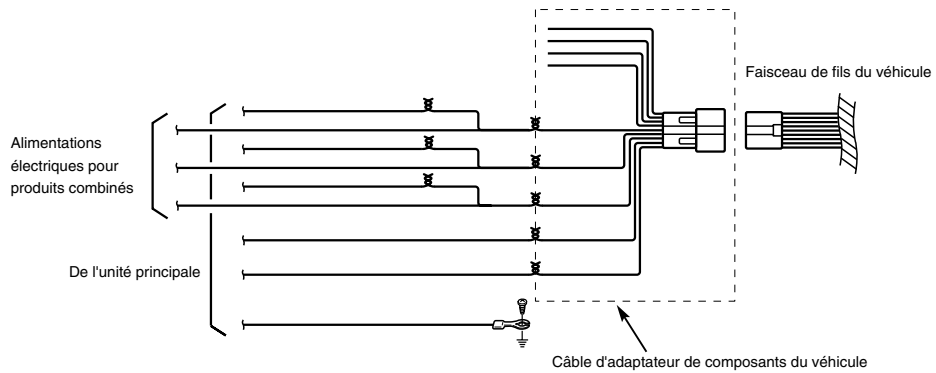
– Connexions du véhicule –



Conseil

- Vous devez acheter le câble d'adaptation de composant de véhicule nécessaire pour le véhicule afin de pouvoir utiliser les alimentations électriques. (Pour plus de détails, adressez-vous à votre revendeur.)
- Veillez à enrober les câbles de connexion de ruban isolant ou autre dispositif isolant afin de les isoler.

– Exemple d'utilisation des câbles d'adaptateur du véhicule –



Français

Exemple de connexion du système

⚠ Avertissement

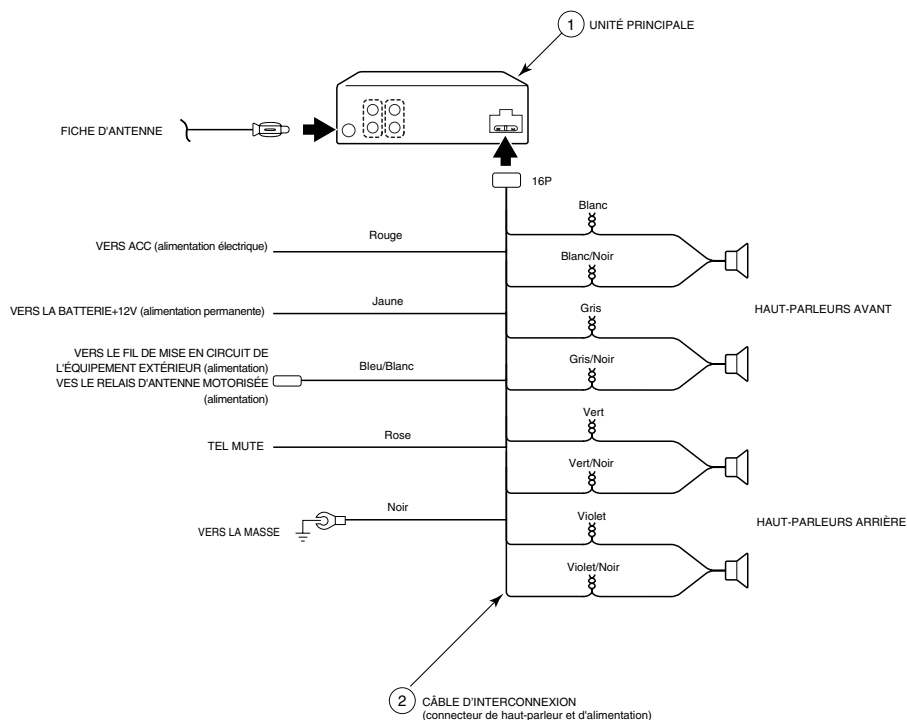
- Ne coupez jamais l'isolant du câble d'alimentation, ou n'utilisez pas celui-ci pour l'alimentation d'un autre équipement. Si la capacité électrique nominale du câble d'alimentation est dépassée, un incendie ou une électrocution risquera de s'ensuivre.
- Les câbles doivent être fixés avec du ruban ou une méthode de fixation similaire pour éviter toute gêne pendant la conduite. S'ils s'enroulent ou s'emmêlent autour de composants tels que le volant, le levier de vitesses ou la pédale de frein, un accident risquera de s'ensuivre.
- Si vous dénudez l'extrémité du cordon pour le connecter à un autre cordon, veillez à enrober la connexion de ruban PVC ou à utiliser une méthode d'isolation des fils similaire pour l'isoler. Si la connexion n'est pas isolée, un incendie ou un accident risquera de s'ensuivre.

Français

👉 Conseil

- Installez et connectez toutes les unités périphériques avant de les connecter à l'unité principale.
- Ne retirez aucun des capuchons de protection (RCA, etc.), sauf s'ils sont utilisés.
- Veillez à enrober les câbles de connexion de ruban (ruban PVC) pour les isoler.
- Réglez le niveau d'entrée de l'amplificateur extérieur.

Unité principale CD1000, utilisé seul



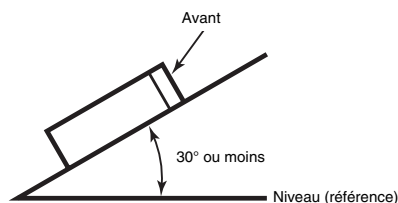
Installation de l'unité principale

– Angle d'installation –



Conseil

Pour pouvoir fonctionner correctement, l'unité principale doit être montée avec un angle de moins de 30 degrés. Si l'angle est supérieur à 30 degrés, des sautes de CD et des éjections incorrectes de CD risqueront de se produire.

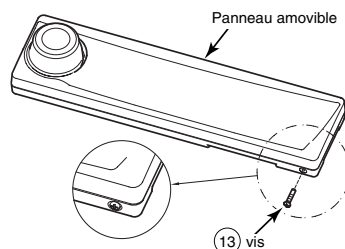


– Préparatifs pour l'installation –

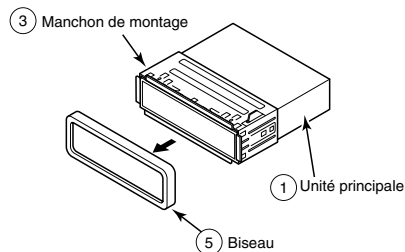


Conseil

Lorsqu'il est inutile de séparer le panneau de commande avant de l'unité principale, utilisez la vis fournie pour fixer le panneau de commande à l'unité principale.



- 1 Retirez le biseau.

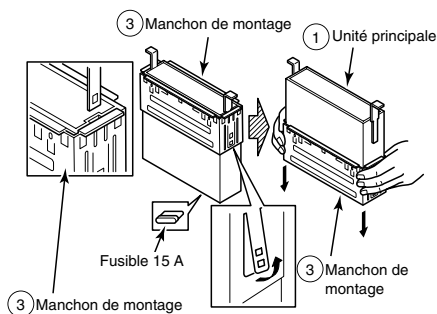


- 2 Insérez l'outil de dépose de l'unité audio sur les côtés gauche et droit de l'unité principale, et libérez le verrouillage du manchon de montage.
- 3 Retirez le manchon de montage de l'unité principale.



Conseil

Veillez à ne pas endommager le fusible qui est installé sur l'unité principale lorsque vous retirez le manchon de montage de l'unité principale.



– Montage de l'unité principale (Si vous installez l'unité principale à l'aide du manchon de montage) –

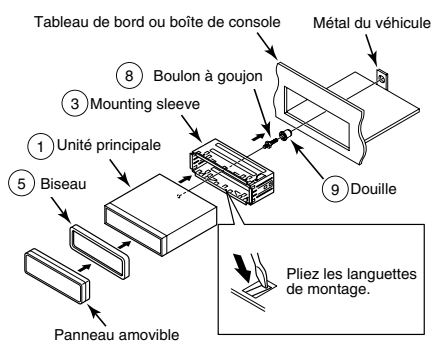
Conseil

- Attachez soigneusement toute longueur excessive de cordon connecté à l'unité principale, et fixez-la dans une zone d'espace libre dans le véhicule, afin que le cordon ne se détache pas ou ne gêne pas l'unité principale ou l'équipement du côté véhicule. Si vous ne manipulez pas correctement les cordons, des anomalies de fonctionnement ou des courts-circuits risqueront de se produire, ce qui pourrait causer un incendie ou d'autres accidents.
- Connectez tous les câbles avant d'installer l'unité principale.

- 1 Insérez le manchon de montage dans l'ouverture du tableau de bord du véhicule ou de la boîte de console.
- 2 Utilisez un tournevis ou un outil similaire pour plier les languettes du manchon de montage pour fixer celui-ci.
- 3 Montez le goujon et la bague
- 4 Insérez l'unité principale dans le manchon de montage jusqu'à ce qu'elle se verrouille à sa place.
- 5 Fixez l'arrière de l'unité principale.
- 6 Installez le biseau sur l'unité principale.

Conseil

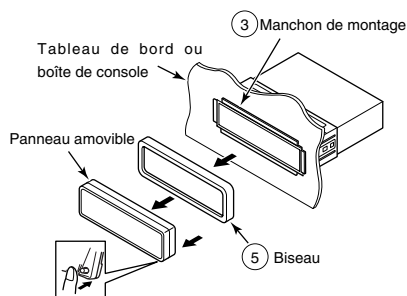
- Veillez à ne pas appliquer une force excessive sur les touches ou sur l'affichage de l'unité principale. Vous risqueriez d'endommager l'unité principale.
- Cette méthode d'installation est donnée à titre d'exemple. Lorsque vous installez l'unité principale sur le véhicule, demandez conseil à votre revendeur pour savoir quelle méthode d'installation utiliser.



– Dépose de l'unité principale (Si vous installez l'unité principale à l'aide du manchon de montage) –

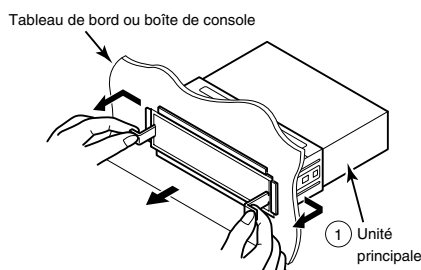
1 Retirez le panneau amovible.

2 Retirez le biseau.



3 Insérez l'outil de dépose de l'unité audio sur les côtés gauche et droit de l'unité principale, et libérez le verrouillage du manchon de montage.

4 Retirez l'unité principale du manchon de montage.



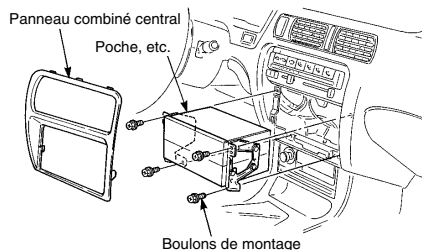
Français

– Montage de l'unité principale (Si vous installez l'unité principale à l'aide des supports latéraux du véhicule) –



Conseil

- Attachez soigneusement toute longueur excessive de cordon connecté à l'unité principale, et fixez-la dans une zone d'espace libre dans le véhicule, afin que le cordon ne se détache pas ou ne gêne pas l'unité principale ou l'équipement du côté véhicule. Si vous ne manipulez pas correctement les cordons, des anomalies de fonctionnement ou des court-circuits risqueront de se produire, ce qui pourrait causer un incendie ou d'autres accidents.
- Connectez tous les câbles avant d'installer l'unité principale.



1 Retirez la poche et les autres accessoires du panneau combiné central pour dégager de l'espace pour l'unité principale.

2 Retirez les supports de montage de la poche.

3 Fixez les supports sur l'unité principale.



Conseil

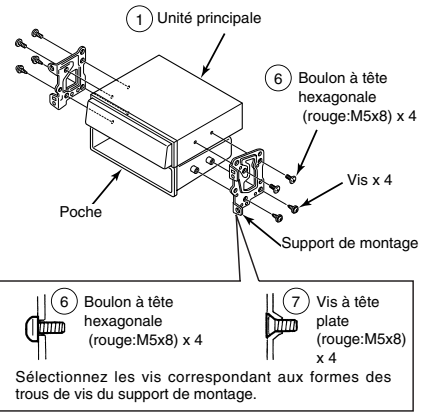
Veillez à utiliser les vis de montage d'accessoires fournies (rouge : M5 x 8) comme vis de montage. Si vous utilisez d'autres vis, elles risqueront d'endommager l'intérieur de l'unité principale.

4 Installez l'unité principale dans le véhicule.



Conseil

- Veillez à ne pas appliquer une force excessive sur les touches ou sur l'affichage de l'unité principale. Vous risqueriez d'endommager l'unité principale.
- Cette méthode d'installation est donnée à titre d'exemple. Lorsque vous installez l'unité principale sur le véhicule, demandez conseil à votre revendeur pour savoir quelle méthode d'installation utiliser.



"ECLIPSE" is a registered trademark of FUJITSU TEN LIMITED in 48 countries including the U.S. and Japan.

090003-2901A700
0511DE (CN)
LVT1449-002B