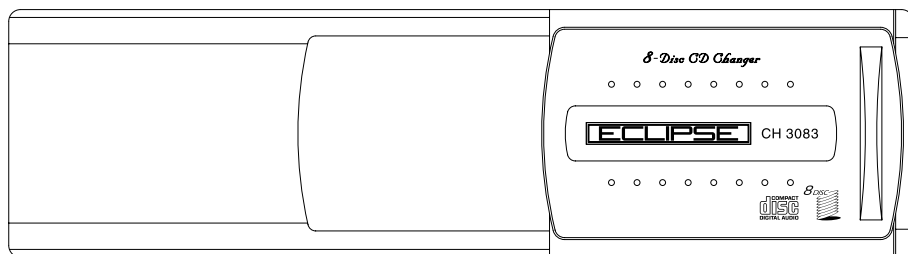


ECLIPSE[®]

by FUJITSU TEN

COMPACT
disc
DIGITAL AUDIO



MODEL CH3083

8 - DISC CD CHANGER

OWNER'S MANUAL

We appreciate your purchase of this product.
Please read through this manual for correct operation.
We suggest that after reading it you keep this manual
in a safe place for future reference.

For your safety in using the CH3083

Warnings and caution signs, illustrated below, are posted throughout this manual as well as on the CH3083. They show safe and correct ways to handle the product so as to prevent personal injury to you and others and avoid damage to property.

Before reading through the manual, take time to read through and learn the important information listed in this section.



Warning

This sign indicates a situation in which incorrect handling through disregard of a sign might result in death or serious personal injury.



Caution

This sign indicates a situation in which incorrect handling through disregard of a sign might result in personal injury or may result solely in damage to property.




Warning


- Do not modify this system for use other than that specified herein. Also, do not deviate from the installation procedures described herein; Eclipse will not be held liable for damages including, but not limited to serious injury, death or property damage resulting from installations that enable unintended operation.
- This unit is intended for operation in DC 12-volt, negative-grounded vehicles only. Never use it in 24-volt vehicles such as heavy trucks or diesel cars with cold-region specifications.
- Do not change CDs while driving. Doing so may result in an accident.

 **Warning**

- Do not place the vinyl storage bag over a person. It may cause a serious accident or death by suffocation.
- Do not disassemble or rebuild this product. Doing so may cause an accident, fire or electrical shock.
- When it is necessary to replace the fuse, always use a fuse of the correct rating (number of amperes). Use of fuses with higher amperage ratings may cause a fire.
- Do not operate the product in a malfunctioning condition, for instance, when the audio does not play. Doing so may result in an accident, fire or electrical shock.
- If an abnormal situation occurs, such as foreign matter entering or liquid splashing on the product, or smoke or a strange odor emitting from the unit, shut off the product immediately and consult the dealer from whom you purchased it. Continued operation may cause an accident, fire or electrical shock.
- Do not install this product in locations where it may interfere with the operation of the steering wheel, shift lever, brake pedal, etc. Otherwise, an accident or injury may result.
- To prevent damaging the vehicle, confirm the locations of hoses, electrical wiring, and the fuel tank prior to drilling holes to install this product. Also, take care so that the product does not interfere, nor come in contact with them. Otherwise, a fire may result.
- When installing this product, never use the existing nuts or bolts that secure parts of the fuel tank, or the steering or braking system. Otherwise, improper steering or braking or a fire may result.

 **Warning**

- To prevent a short circuit from occurring, disconnect the battery's negative terminal before installing this product. Otherwise, an electric shock or injury may result
- When using an existing nut and/or bolt from the vehicle to ground this product, do not use any that secure parts of the steering or braking systems. Otherwise, an accident may result.
- Bundle cables and harnesses with electrical tape or wire ties to prevent them from interfering with moving parts. If they should entangle the steering wheel, shift lever or brake pedal, an accident may result.
- Never supply power to another electrical appliance by splicing or tapping into this product's power lead(wire). Otherwise, the current capacity of the wire will be exceeded, resulting in a fire or electric shock.
- When making holes using a drill or similar tool, be sure to wear protective eyewear. Otherwise, an injury such as loss of eyesight may result.
- Exposed wires must be insulated with electrical tape. Otherwise, a short circuit, fire, or electric shock may result.

 **Caution**

- Play the audio at a moderate volume level that permits you to hear sounds from outside the car. Driving without being able to hear outside sounds may result in an accident.
- Keep foreign objects out of the disc slot. They may cause fire or electrical shock. Another possibility is that discs may be damaged or become stuck.
- Do not stick your fingers or hands into the CD changer magazine slot. Doing so may cause personal injury.
- This product must be operated only as on-board equipment, or it may cause electrical shock or injury.
- Do not play distorted sounds for long periods of time; the speakers may overheat and cause a fire.
- This product uses an invisible laser light. In case a problem develops, be sure to consult the dealer from whom you purchased the product. Do not disassemble or rebuild the unit; rebuilding it may expose you and others to a dangerous laser emission which would damage eyesight or cause an accident.
- For best results, this product should be installed by a professional installer. Contact the dealer whom you purchased the product for an appointment.
- When installing this product, be sure to use the supplied mounting hardware. If parts other than those supplied are used, the unit may be damaged internally, or may not be held in place securely and become dislodged.
- Avoid installing this product in places where it may get wet, such as near windows, or in places that are moist or dusty. Presence of liquid, moisture or dust inside this product can cause short circuiting, resulting in smoke or fire.

 **Caution**

- Do not install this product in locations where it cannot be fastened securely, such as places subject to frequent vibration. Otherwise, it may become dislodged and cause an accident or injury.
- If this product is not connected properly, a short circuit, fire or accident may occur.
- When routing cables, use care so that they do not contact sharp metal parts such as brackets or screw tips. Otherwise, a short circuit, electric shock, fire or accident may result.
- If this product is operated for an excessive period of time, it may overheat, resulting in a fire. Install the Product so that heat may dissipate.
- Do not obstruct the vent on this product. If blocked, excessive heat build-up may occur and cause a fire.
- A CLASS 1 LASER PRODUCT label is affixed to the top of this unit.



Table of Contents

<i>Operating precautions</i>	8
Notes on operation	8
About compact discs	9
About cleaning a CD	11
<i>Preparation</i>	12
How to place the disc into the CD magazine	12
How to place the CD magazine into the changer	13
How to eject the CD magazine	14
<i>Specifications</i>	15
<i>Before Installation</i>	16
Components	16
Preliminary instruction	17
Daisy chain connection	18
<i>Mounting instruction</i>	19
Horizontal instruction	19
Vertical instruction	23
Connections	26
System	27

This CD changer allows you to select and play continuously your desired tunes from 8 discs placed in the magazine.

◆ **Operating precautions**

Your CH3083 will perform well over a long period of time through correct handling and care.

Notes on operation

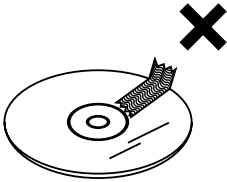
- For your safety, play only at volume levels that allow outside sounds to be heard.



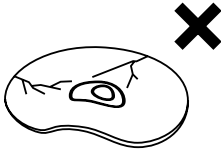
- We recommend using with this player a disc with the logo shown to the left.
- You can play music CDs(CD-R/CD-RW) on this player. Be sure to use discs that have been properly processed.
- Depending on the editing equipment used, some discs may not play properly.
- You cannot play MP3 CD-R/CD-RW discs on this player.
- Avoid severe mechanical shock.
When the player is subjected to severe vibration while traveling over a rough surface, playback may be intermittent. When a situation like this occurs, resume playback after returning to a smoother road.
- About dew condensation.
In cold or rainy weather, just as the interior glass surface gets fogged, dew (water condensation) may also settle on the deck. When this occurs, disc playback may become intermittent or impossible. Dehumidify the air in the vehicle for a while before resuming playback.

About compact discs

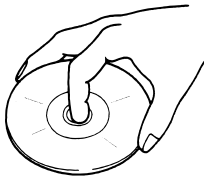
- The signal recorded on a compact disc is read by a laser beam, so nothing touches the disc surface. A scratch on the recorded surface or a badly warped disc may cause deteriorated sound quality or intermittent playback. Observe the following precautions to ensure high quality sound performance:



- Do not stick a piece of paper or tape on, nor write on or scratch either side of a disc.



- Discs spin at a high speed inside the deck. Keep cracked or warped discs out of the player to avoid damaging it.

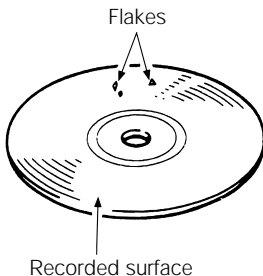
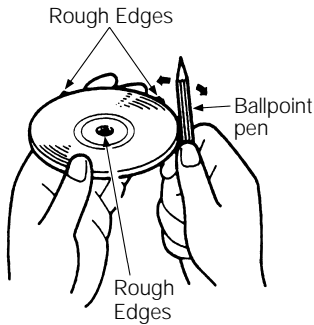


- Avoid touching the recorded surface when handling a disc; handle discs by their edges.

Operating precautions

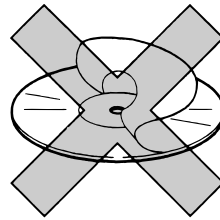
About brand new CDs

- You may notice that some brand new discs are rough around the center hole or outside edge. Remove the rough edges with the side of a ballpoint pen, etc. Rough edges may prevent proper loading in the deck. Flakes from the rough edges may also stick to the recorded surface and interfere with playback.

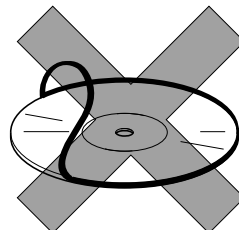


About CD accessories

- Do not use accessories (stabilizers, protective seals, laser lens cleaners, etc.) sold for "improving sound performance" or "protecting CDs." The changes in CD thickness or outside dimensions made by these accessories may cause problems in the player.



- Please be sure NOT to attach any ring-shape protector (or other accessory) to your discs. Those protectors are commercially available and said to protect disc and to improve sound quality (and antivibration effect), but they can do more harm than good in regular uses. The most common problems are Insert/Eject related problems and "No playback" problems due to the protectoring that came off in the disc mechanism.

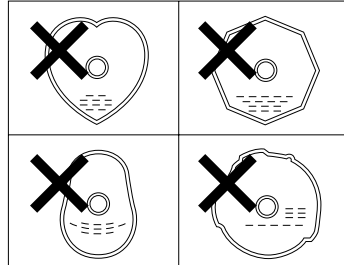


About borrowed CDs

- Do not use a CD with glue or remnants of adhesive tape or labels. They may cause the CD to get stuck inside or damage the deck.

About irregularly-shaped CDs

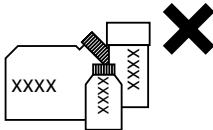
- Specially-shaped CDs, like heart-shaped or octagonal CDs, cannot be played. Do not attempt to play them, even with an adapter, since they may damage the player.



About cleaning a CD



- Use a commercially available compact disc cleaner to clean a CD, wiping lightly from the center to the edge.



- Do not use benzene, thinner, LP record spray or other cleaners on CDs. They may damage a CD's finish.

PRECAUTIONS FOR THE CD MAGAZINE

- Do not place the CD magazine on hot place exposed to the sun or in humid conditions. During summer, the temperature is very high on the seat or dashboard of a completely closed car. So never leave the CD magazine in such places.
- Do not drop the CD magazine or treat it roughly.

◆ Preparation

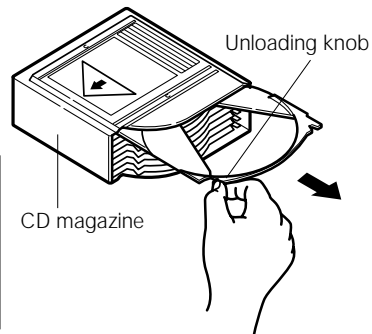
When you listen to a CD with this CD auto changer, please proceed as follows before playing the CD.

■ How to place the disc into the CD magazine

1

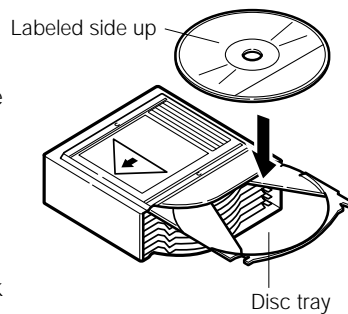
- Slide a tray out of the CD magazine.

The magazine holds up to eight CDs.
It is not necessary to fill all eight trays. Empty trays are ignored when played.



2

- Place the CD on the tray with the labeled side facing up.

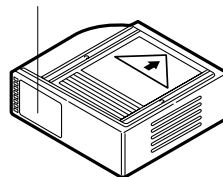


3

- Slide the tray completely back into the magazine. Otherwise it may cause failure.

Make sure that the tray seats correctly along the guides on both sides. Otherwise it may cause failure.

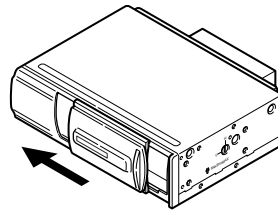
Fix the index label to this surface



■ How to place the CD magazine into the changer

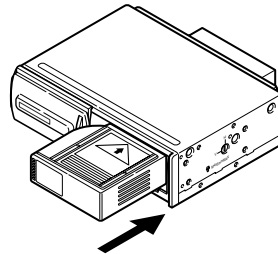
1

- Slide the CD changer door completely open to the left.



2

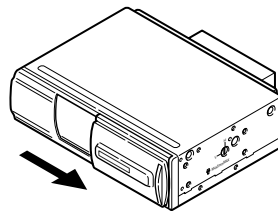
- Load the magazine into the CD changer in the direction of the arrow on the top of the magazine.



NEVER insert coins, screw drivers or anything other than the magazine into the magazine slot.

3

- Slide the CD changer door to the right to close.

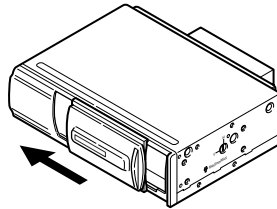


Note: You cannot start playing unless the door is fully closed.


■ How to eject the CD magazine

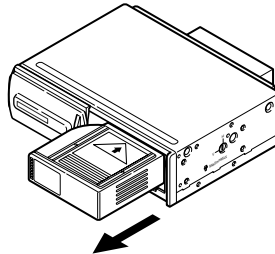
1

- Slide the CD changer door completely open to the left.



2

- press the eject button  on the changer to eject the magazine.



Note: The CD magazine will not be ejected if the door is not completely open.

About CD MAGAZINE

- Use only the specified CD magazine.
- Up to eight trays (CDs) can fit in the CD magazine.
- When inserting a tray into the CD magazine, make sure that the trays fit correctly into the racks of the magazine.
- Do not insert two or more CDs into a single rack, otherwise damage may result.
- Contact the place of purchase for details on the CD-ROM discs that can be played back using this unit.

◆ Specifications

System	Compact Disc Digital Audio System
Decoding (D/A)	1bit dual D/A converter
Dynamic range	95dB or more(1kHz)
S/N (IHF-A.1kHz)	95dB
Harmonic distortion ratio	0.01% at 1kHz
Wow/flutter	Below measurable limits
Nominal output level	2.0V RMS (0dB)
Line voltage	DC 13.2V (11 to 16V)
Current consumption	about 1.8A max. and less than 600mA during play.
Dimensions (W × H × D)	$9\frac{1}{16}$ " × $2\frac{31}{64}$ " × $7\frac{9}{32}$ " (230 × 63 × 185mm)
Weight	1.6kg (main unit), 0.2kg (magazine)

Note: The parts constants and circuit are subject to changes without prior notice for performance improvements.

◆ **Before installation**

Notes

Be sure to disconnect the vehicle battery's negative terminal before installing CD changer unit.

■ Components

No.	Item	Q'ty
1	CD changer unit	1
2	Base bracket	1
3	Side bracket	2
4	Hex bolt (4x8mm)	4
5	Hex nut (5mm)	4
6	Self-adhesive pad	3
7	Cap	4
8	Din cable (13P-13P)	1
9	Interconnecting cable	1
10	Disc magazine, 8 discs	1

■ Preliminary instruction

Before CD changer unit installation, be sure to remove CAUTION LABEL and TAPE.

Notes

In the event that the unit requires shipping, re-insert the shipping screws through the caution tag template to help prevent potential damage that may be caused by shipping.

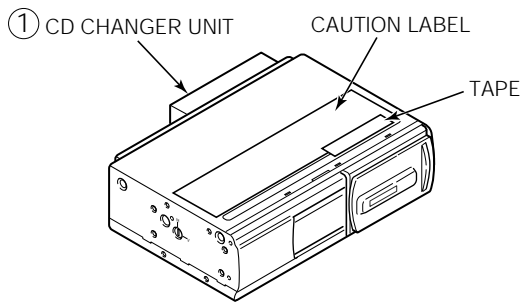


Fig.1

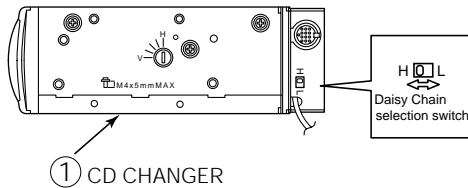
■ Daisy chain connection

Another CH3083 CD changer can be connected directly to your CH3083 CD changer in daisy chain.

Both of these CD changers can be connected through the control unit.

Notes

This switch is set to "H" before shipment.



Combination	Position of switch	
	CD changer (A)	CD changer (B)
Main unit + CH3083 (A) + CH3083 (B)	CH3083 "L" side	CH3083 "H" side
Other than the above (combination without CD changer)	"H" side	

◆ *Mounting instruction*

■ Horizontal instruction

1. Make sure levers on each side of CD changer unit are in the "H" position.

NOTE: This levers is set to "H" before shipment.

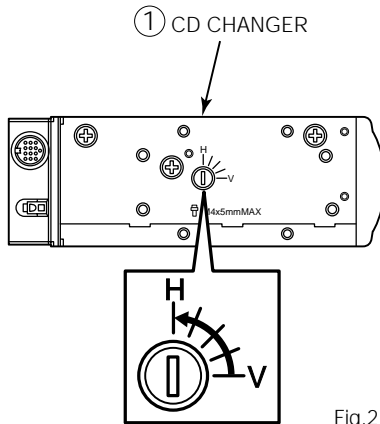


Fig.2

2. Secure the side brackets on each side of CD changer unit.

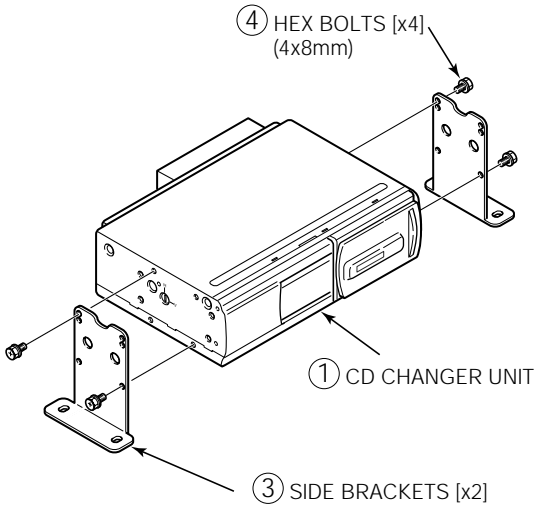
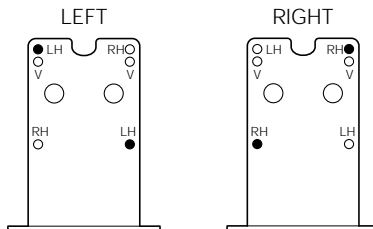


Fig.3

Notes

- Use the "LH" holes (2 places) at the left of the side bracket to install the unit.
- Use the "RH" holes (2 places) at the right of the side bracket to install the unit.



3. Lift the carpet, and choose the mounting location by placing the base bracket in a safe location. Remove the papers, then press the base bracket on the floor panel securely.

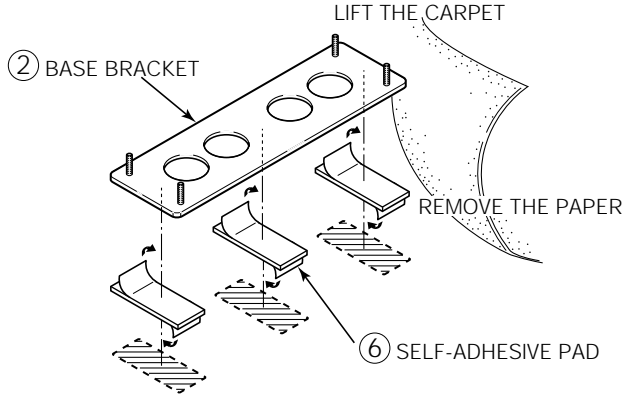


Fig.4

4. Replace the carpet and cut x pattern thru carpet where the mounting bolts appear. (Fig.5)
5. Push mounting bolts through a carpet. (Fig.6)

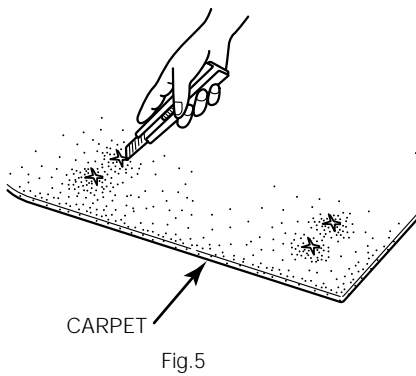


Fig.5

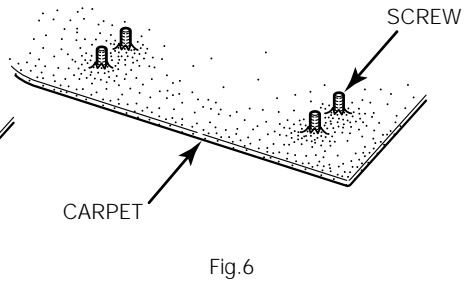


Fig.6

- 6** . Install CD changer unit to the base bracket with 4 nuts provided. Place caps over the mounting bolts.

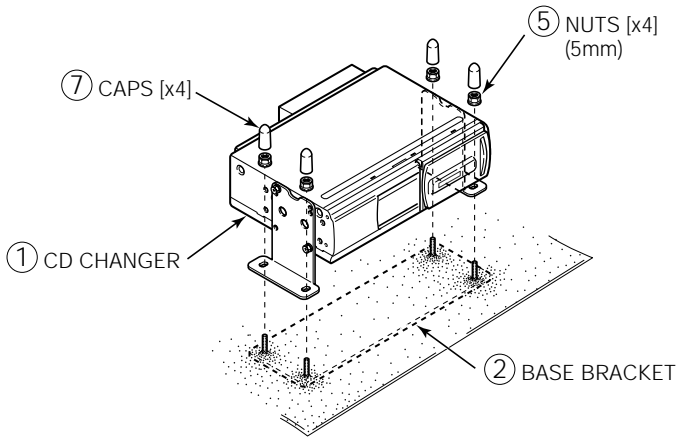


Fig.7

■ Vertical instruction

1. Make sure levers on each side of CD changer unit are in the "V" position.

NOTE: This levers is set to "H" before shipment.

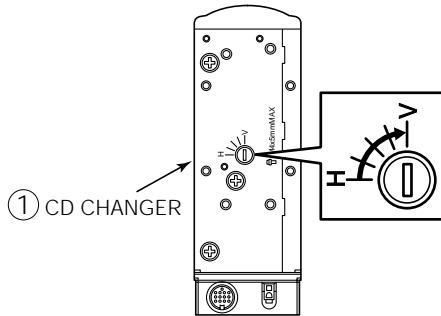


Fig.8

2. Secure the side brackets on each side of CD changer unit.

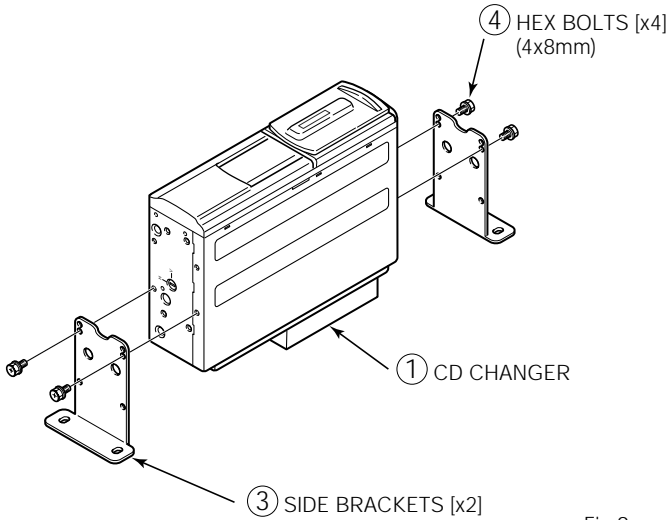
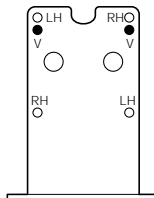


Fig.9

Notes

- Use the "V" holes (2 places) of the side bracket to install the unit.

COMMON TO RIGHT AND LEFT



- 3.** Lift the carpet, and choose the mounting location by placing the base bracket in a safe location. Remove the papers, then press the base bracket on the floor panel securely.

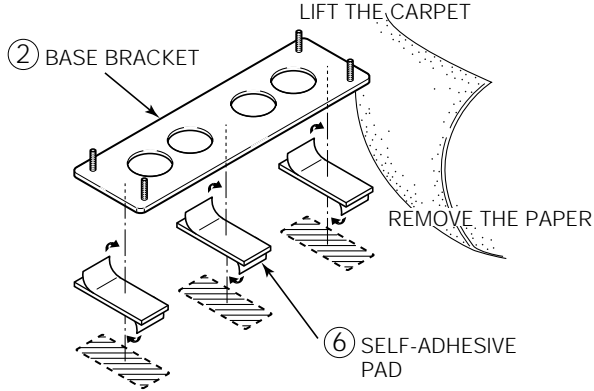


Fig.10

- 4.** Replace the carpet and cut x pattern thru carpet where the mounting bolts appear. (Fig.11)
- 5.** Push mounting bolts through a carpet. (Fig.12)

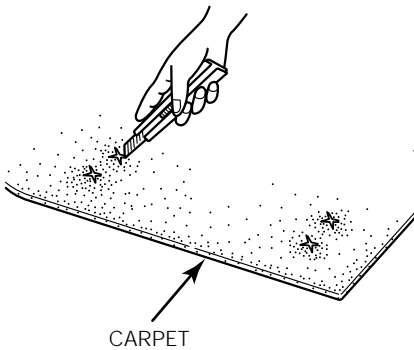


Fig.11

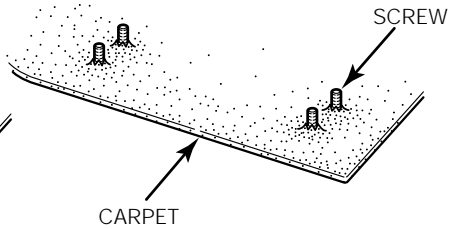


Fig.12

- 6** . Install CD changer unit to the base bracket with 4 nuts provided. Place caps over the mounting bolts.

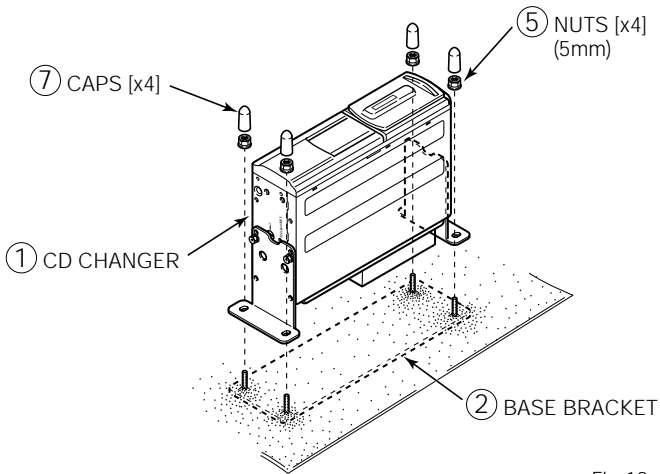


Fig.13

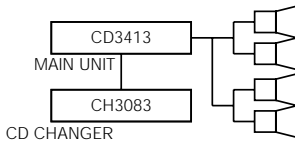
■ Connections

Caution

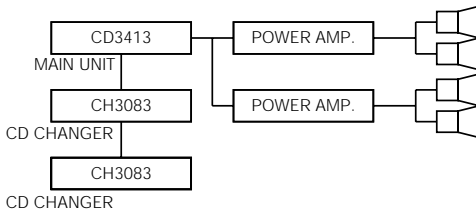
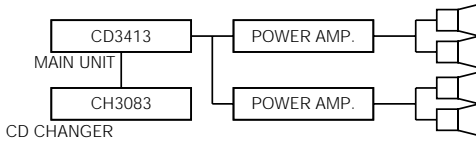
To prevent electrical damage to audio unit, be sure to ground chassis of external power amplifier to car's body.

- The chassis of an add-on amplifier must be properly grounded to a nearest metal part of the car's body.
- If the amplifier's chassis is not grounded, the amp's chassis may possibly generate unwanted electric voltage (in reference to the car body ground) as the user operates the audio system. And eventually, this may possibly lead to an internal damage (electric damage) of the audio head unit.

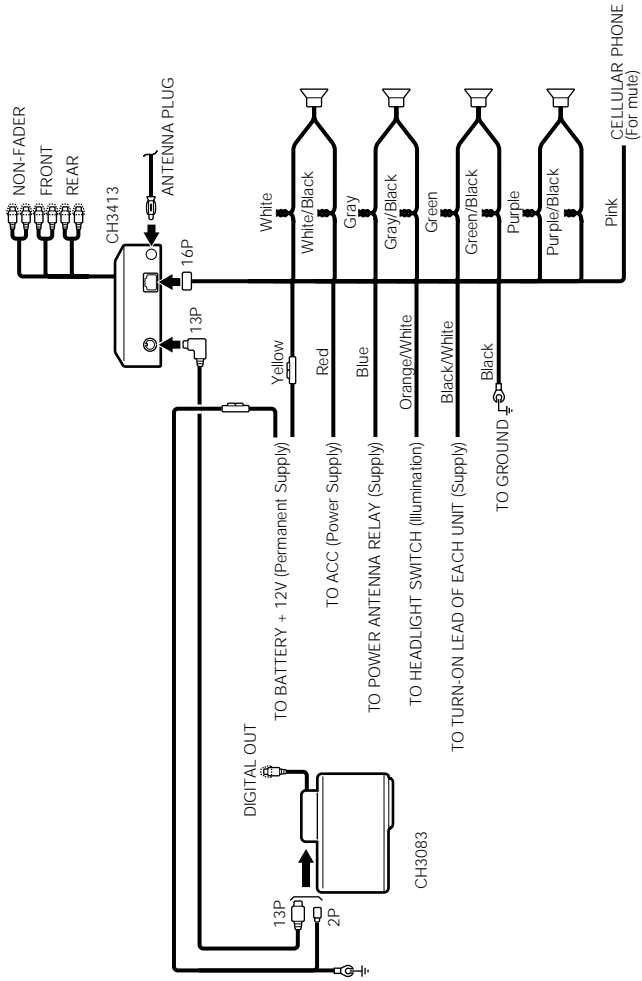
■ System



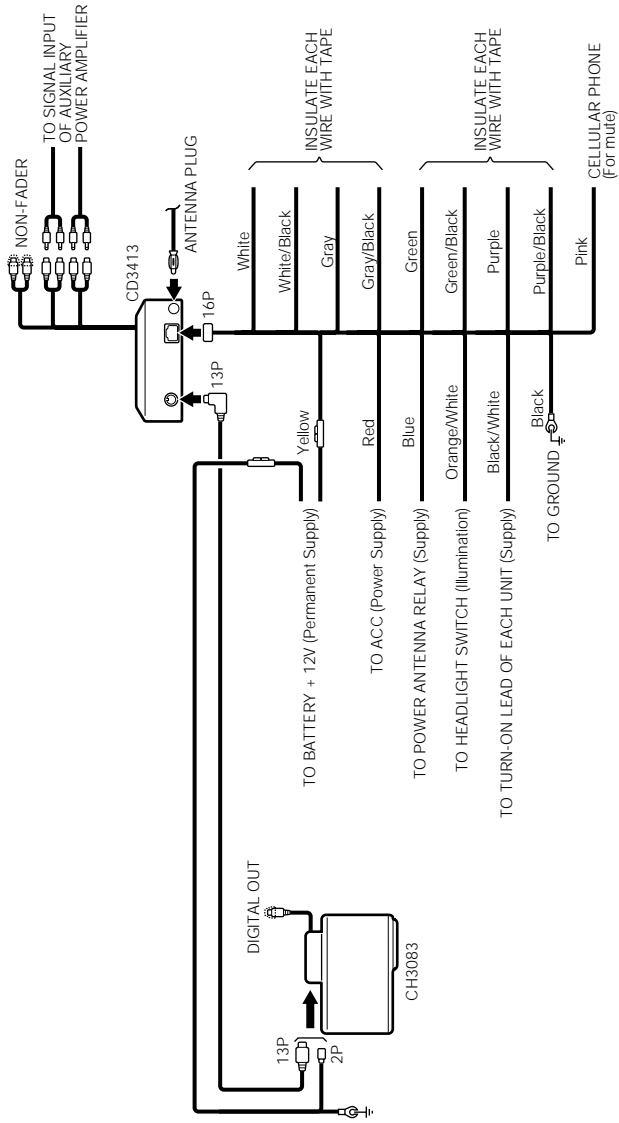
NOTE: Adjust the external amplifier's input level.



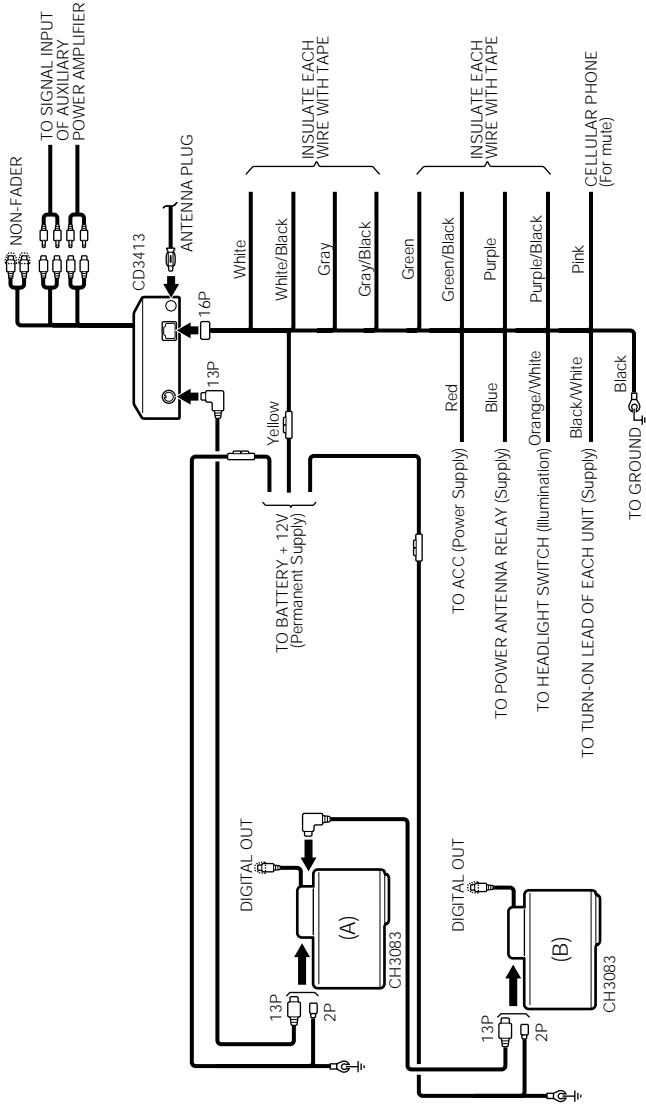
1) CD3413+CH3083



2) CD3413+CH3083+Power Amplifier



3) CD3413+CH3083+Power Amplifier



NOTE: The switch on the back side of CD change (A) must be set to the "L" position
 The switch on the back side of CD change (B) must be set to the "H" position

CUSTOMER NOTICE

Please retain this booklet and write in the serial number of your CH3083 for identification.

The serial number is labeled or stamped on the chassis.

Serial No. _____



090001-1433A700
0508(N.O.)

DIVISION OF FUJITSU TEN CORP. OF AMERICA
19600 SOUTH VERMONT AVENUE, TORRANCE, CA 90502
(310) 327-2151